

Description

This Vacuum Filter Funnel System made of durable polypropylene and stainless steel. It is easy to set up and use and is virtually indestructible. The unit consists of:

Cat. No.	Description
45311	1 Liter Funnel
45322	2 Liter Funnel
45377	Filter Retainer Ring
45373	Stainless Steel Membrane Support
45374	Base Unit with Vacuum Port
45325	8-Piece Adapter Kit

Assembly

Assemble the unit for use as follows:

1. Secure Base Unit (E) to receiving bottle. The receiving bottle must have a GL-45 threaded neck. The receiving bottle should never exceed 2 liters in volume. It is recommended that safety coated receiving bottles be used.
2. Install the Stainless Steel Membrane Support (D) into the Base Unit (E).
3. Apply the 47mm Membrane Filter (C) to rest on the Stainless Steel Membrane Support.
4. Install the Filter Retainer Ring (B). This ring protects the Membrane Filter and enhances the seal between the Funnel and Base Unit. The unit may be used without the Filter Retainer Ring, but great care must be taken to avoid damaging the Membrane Filter.
5. Seat the Funnel (A) on top of the Filter Retainer Ring (B) and raise the white cap to engage the threads on the Funnel. It is recommended that the cap be turned to tighten and seal the Funnel to the Base Unit, rather than turning the Funnel.
6. Secure the unit with a ring stand. A three-finger clamp can be used to hold the base unit, securely fixing the entire filtration apparatus to the ring stand.
7. Thread the 1/4"-28 to female Luer adapter into the stainless steel vacuum port. Apply the appropriate barb to interface the unit to the vacuum source.
8. Apply vacuum and use the filter.

Safety Precautions

1. Ensure fluid compatibility with the filter system materials.
2. Always wear proper personal protective gear appropriate to the task.
3. Always use a safety coated reservoir bottle in conjunction with the filter system.
4. Never pull vacuum on a reservoir bottle larger than 2 liters.

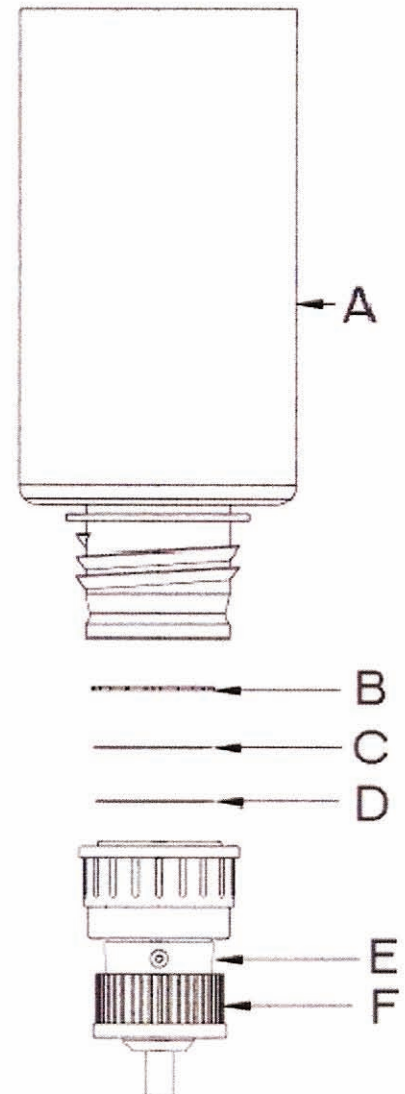


Figure 1 – Components of the Vacuum Filter Funnel and their proper orientation and assembly. **A** – Funnel, **B** – Filter Retainer Ring, **C** – 47mm Filter Membrane, **D** – Stainless Steel Membrane Support, **E** – Base Unit with Vacuum Port, **F** – GL-45 Cap Closure