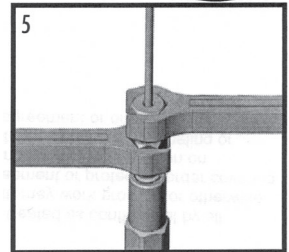
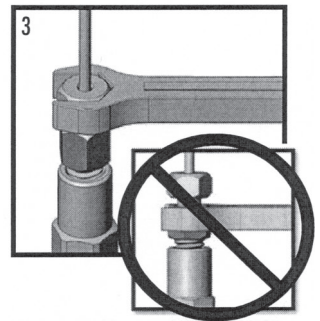
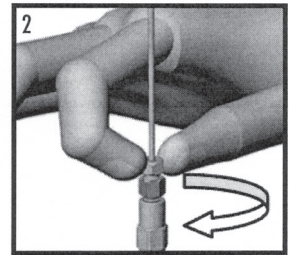
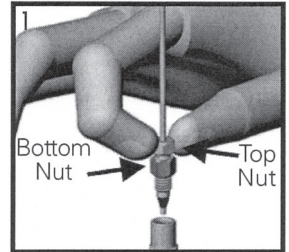


To Make a Connection:

1. Install #847314 fitting over tubing. If tubing does not fit, loosen top nut slightly.
2. Put fitting and tubing into port and slide fitting down until the threads engage. Push the tubing down until the port bottoms out. Tighten using the top nut only snug with your fingers.
3. When tightening, place a wrench on the top nut only.
4. Tighten the fitting 12in*lbs/1.35N*m (approximately 120 - 180°).



To Break a Connection

5. To remove, loosen top nut and then bottom nut. It may be necessary to hold the bottom nut while loosening the top nut.

⚠ Warnings:

DO NOT TIGHTEN USING THE BOTTOM NUT!
DO NOT TIGHTEN WITHOUT TUBING IN FITTING!
DO NOT OVERTIGHTEN TOP NUT!