



AgileSLEEVE+[®]

Operations Manual

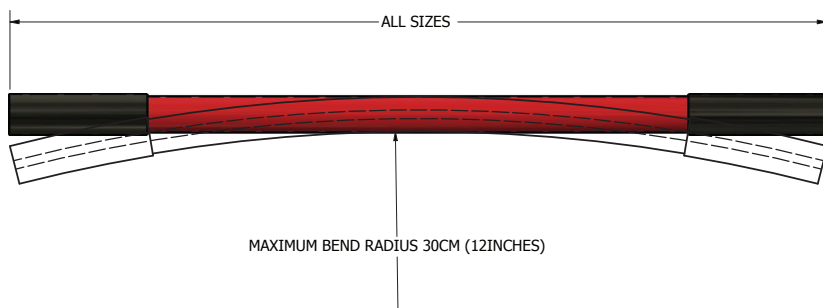


Thank you for purchasing Analytical Sales and Services **AgileSLEEVE+®** Column Heater system. This manual will guide you through setup and operation of your new device.

Safety Warnings:

All heater systems are designed for use by properly trained individuals following Good Laboratory Practices who have read and understand this entire manual.

CAUTION: AgileSleeves are finely tuned instruments. The flexible heating unit is a sensitive and delicate device that when used correctly will offer years of reliable service. **Sleeves must NOT be bent backward or excessively flexed in any direction.** Doing so could possibly break the thin wires imbedded within the sleeve and cause the heater to stop heating properly.



CAUTION: The temperature controller must be operated away from liquids so as not to accidentally spill solvents through vent openings on top cover. Do not immerse or operate any part of the Column Heater in liquids.



Contents

Safety	2
Product Specifications	3
General Inspection	3
System Setup	6
Operational	7
External Control	7
Use and Care	7

Product Specifications

Power Requirements:	24 VDC
Heating Range:	5°C above ambient to 100°C
Heating Elements:	24-80 Watt, 24 VDC Rated, AGILESLEEVE+
Heater Accuracy:	+/- .5°C
Controller Accuracy:	+/- .1°C
Calibration Points:	45°C

This manual covers the following controlled heater products:

- AgileSLEEVE+
For columns up to 30cm long x 1/32" O.D. and 1/16" O.D.
- MonoSLEEVE

General Inspection

Unpacking and Inspection

Verify that the column heater package contains the following:

- AgileSLEEVE+ Heater, MonoSLEEVE Controller, Power Supply
- Column Heater Manual, GUI Software, Green Remote Plug, Test Data Sheets

Please notify Customer Service if the Column Heater has any missing or damaged parts. Contact numbers: 973-616-0700, Fax 973-616-0133

The **AgileSLEEVE+** is a unique “Tube Style” design, which surrounds a single column with a complete blanket effect of heat. AgileSLEEVES will accommodate column lengths up to 30cm and diameters between 1/32” and 1/16” O.D.

Four lengths are available; 10cm, 15cm, 25cm and 30cm.



NOTE:

Each **AgileSLEEVE+** is manufactured as a complete system with the **MonoSLEEVE™** control unit. AgileSleeves are not interchangeable with other control unit, except for the MultiSleeve™ multiple column heater controller (not covered in this manual). Each AgileSLEEVE+ is individually tested and calibrated with its respective control unit.

If you encounter a technical problem with either a sleeve or a control unit, do not mismatch a set, contact Analytical Sales and Services for product repair.

The **MonoSLEEVE™** controller is used for applications which require single heating zones. Used in conjunction with the **AgileSLEEVE+** heater, it maintains one channel.

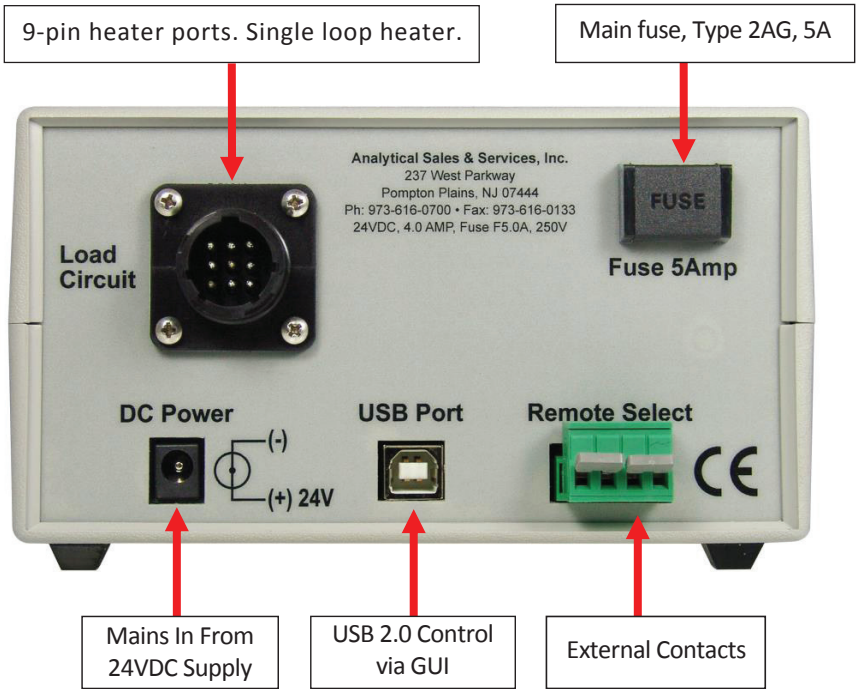


The MonoSLEEVE controller is designed for use in analytical format liquid chromatography applications only.

The actual temperature and the user selected set point are displayed on the front of the temperature controller. Both the user set point and the actual temperature are in full display by pressing the Menu button.

Setup

Make certain that the temperature controller is turned off. Insert the power cord into the main receptacle, and then the plug into the supplied 24VDC Desktop Power Supply. Last, insert the heating plug into the back of the controller marked Load Circuit shown below.



Turn the Column Heater on. The temperature controller will perform a self-diagnostic test upon power-up. If, after powering up, the display indicates something other than reasonable temperature values, notify Customer Service for further action.

The Column Heater contains one fuse. If the display does not appear to illuminate at all, check the main fuse.

Note that the LCD display on the front panel will show two numbered values displayed in °C for the channel. The top number T is the actual column enclosure temperature. The bottom number S is the column temperature set point.

Operation

Depress the MENU button on the front panel to enter the temperature setting mode. Use the set point adjustment arrow buttons to raise and lower the desired set point per heating channel. Pressing the up or down arrow button alone will not change the set point value.

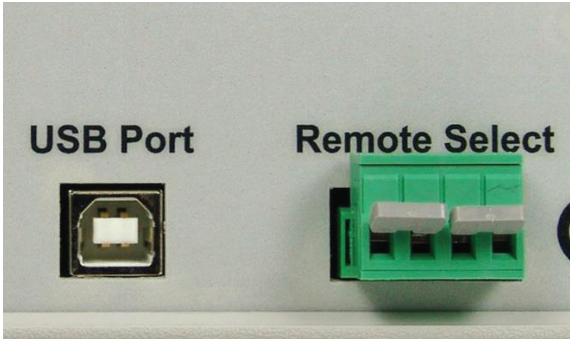
Depressing the MENU button will cycle through set point zero, remote 1, and remote 2.

Set the temperature to 35°C. After a few moments the column enclosure temperature will begin to rise as indicated by the T display. Allow the column heater to reach 35°C and verify that the column heater will control properly. The set temperature will equilibrate quickly. Upon successful evaluation, set the heater to the desired control temperature.

Use and Care

The Column Heater is engineered to be lightweight and efficient. The materials used in fabricating the heater and controller sections may be sensitive to solvents. Proper installation includes reliable leak testing before installing the heater for each use. Do not immerse or operate any part of the Column Heater in liquids. In the event of solvent leakage, wipe sleeve down with clean paper towel before further use.

The Temperature Control Module is custom designed to offer optimum performance in heating applications. It has fast 100Hz sampling that improves control responsiveness, variable time base burst firing that increases the heater life and gives better temperature controllability, and a compact size which allows it to be placed in small areas.



External Control

Your controller is equipped with an external control feature. The first is through USB 2.0 control with the supplied Graphical User Interface (GUI) software provided on the CD. The second is through contact closures from an outside source, i.e, autosampler, pump, etc. Attach leads to the supplied Green plug. Once contact is established at the other end of the leads, the controller will automatically disengage or engage heating values.

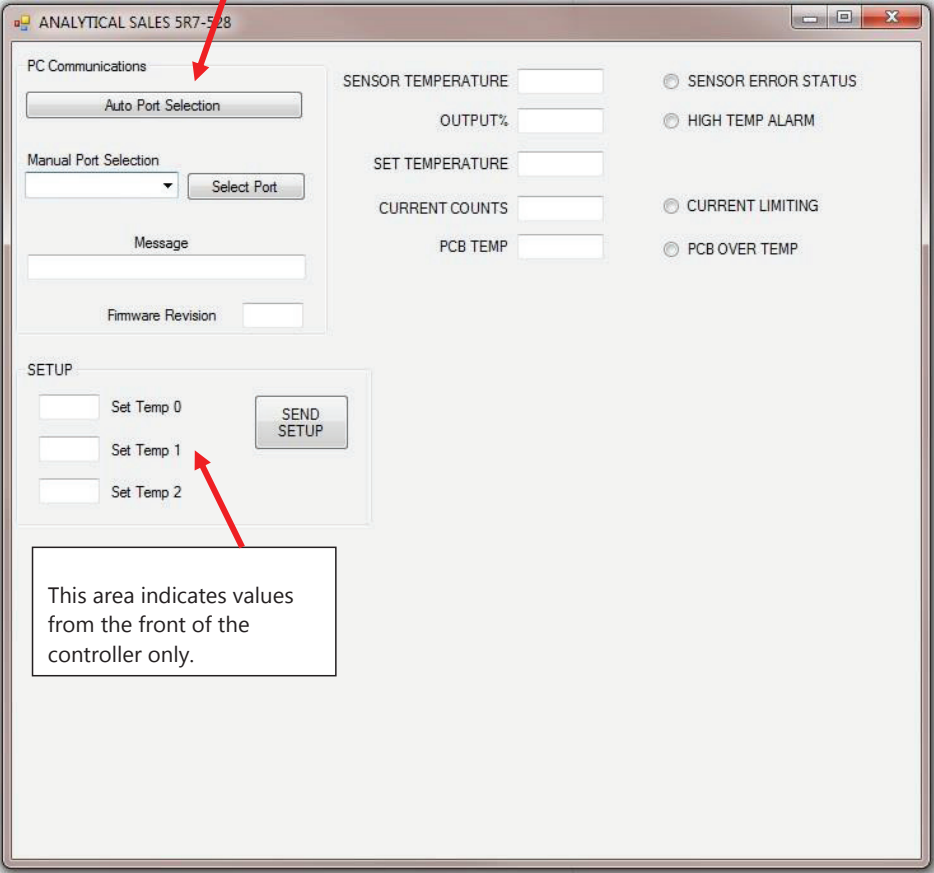
Remote Graphical User Interface (GUI)

Along with your MonoSLEEVE you also received a CD containing a graphical user interface which will allow you to control each channel from a computer should you wish to.

Place the GUI CD into your computer. You may transfer the program to your workstation or start the program directly from the CD. Plug in the USB cable and start-up the program and the interface at the right will appear.

Select AUTO to initialize the port. All current programmed information will appear within the display.

Select Auto Port or enter port manually if known. COMM Port (COM1 is default) and When communication is established, COMM OK will be shown.



This area indicates values from the front of the controller only.

DECLARATION OF CONFORMITY

Analytical Sales and Services, Inc. hereby declares that the product(s) listed below conform to the European Union directives and standards identified in this declaration.

Analytical Sales and Services, Inc. erklärt, daß die aufgeführten Produkt(e) in Übereinstimmung sind mit den Bestimmungen der angegebenen EU-Richtlinien und mit den aufgeführten normative Dokumenten.

Analytical Sales and Services, Inc. dichiara con la presente, che i prodotto(l) sottomenzionati sono in conformità con le direttive e norme Europee, specificate in questa dichiarazione.

Analytical Sales and Services, Inc. déclare par la présente, que les produit(s) sous-mentionnés, sont conformes aux directives et normes Européennes identifiées dans cette déclaration.

Analytical Sales and Services, Inc. declara por la presente que los producto(s) abajo mencionados, están conformes con las directivas y normas Europeas identificadas en esta declaración.

Products(s) / Produkt(e) / Prodotto(l) / Produit(s) / Producto(s):

AgileSLEEVE+ HPLC HEATERS

EU Directive(s) / EU-Richtlinien / Direttiva(e) Europee / Directives Européenne(s) / Directiva(s) Europeas:

Low Voltage (73/23/EEC, 93/68/EEC)

Electromagnetic Compatibility (89/336/EEC, 92/31/EEC, 93/68/EEC)

Standard(s) / Norm(en) / Norma(e) / Norme(s) / Norma(s):

EN55011:1998 ENN61000-3:1995+A1:1998+A2:1998+A14:2000

EN61326: 1997 +A1: 1998 +A2:2000 EN61000-3-3:1995

EN61010-1:2001

**For technical support or to reorder supplies,
contact Analytical Sales & Services, Inc.**

AgileSLEEVE is a registered trademark of
Analytical Sales & Services, Inc.



179 Route 206
Flanders, NJ 07836

Phone: 973-616-0700
Fax: 973-6160133

Email: info@analytical-sales.com
Web site: www.analytical-sales.com