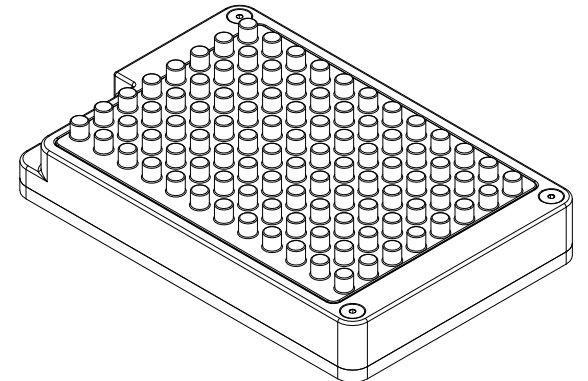
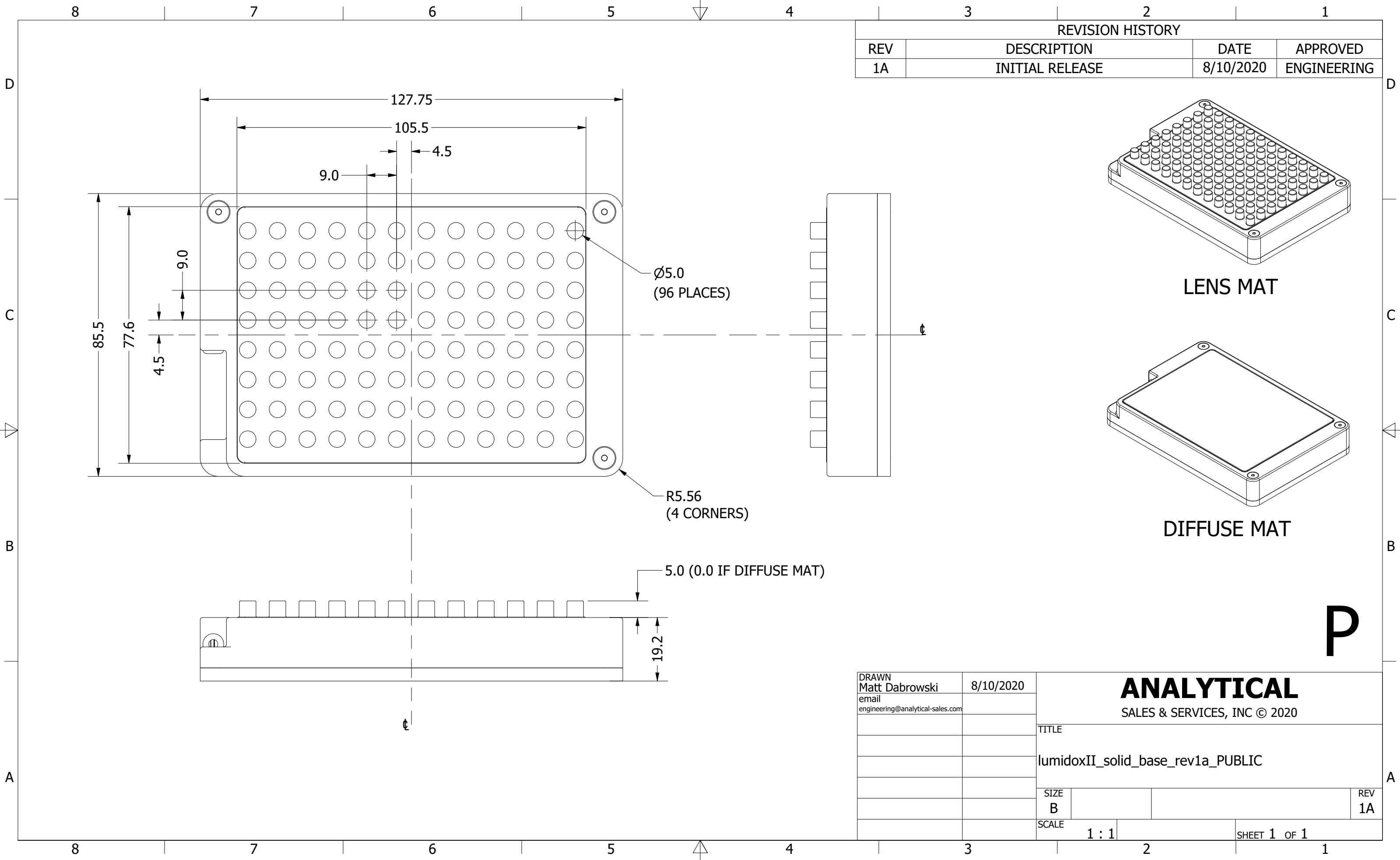
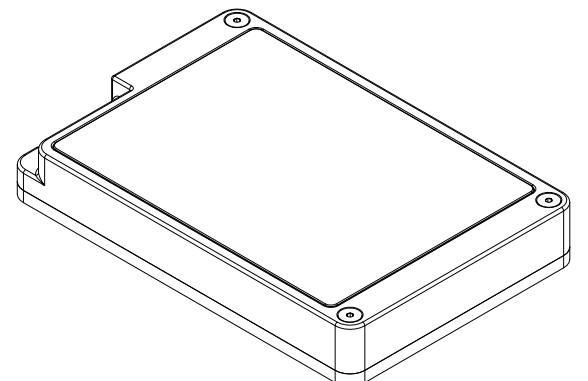


REVISION HISTORY			
REV	DESCRIPTION	DATE	APPROVED
1A	INITIAL RELEASE	8/10/2020	ENGINEERING



LENS MAT



DIFFUSE MAT

P

DRAWN Matt Dabrowski email engineering@analytical-sales.com	8/10/2020	ANALYTICAL SALES & SERVICES, INC © 2020	
		TITLE	
		lumidoxII_solid_base_rev1a_PUBLIC	
	SIZE		REV
	B		1A
	SCALE	1 : 1	SHEET 1 OF 1