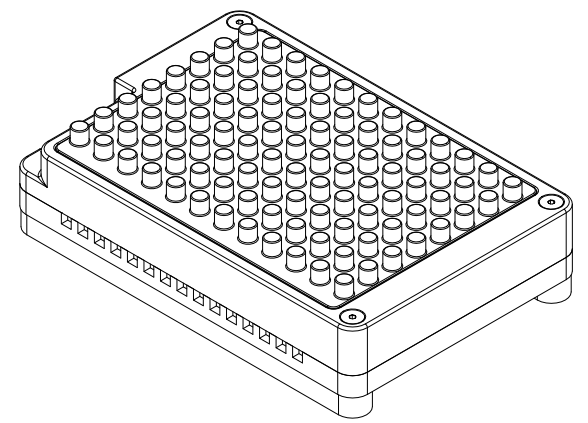
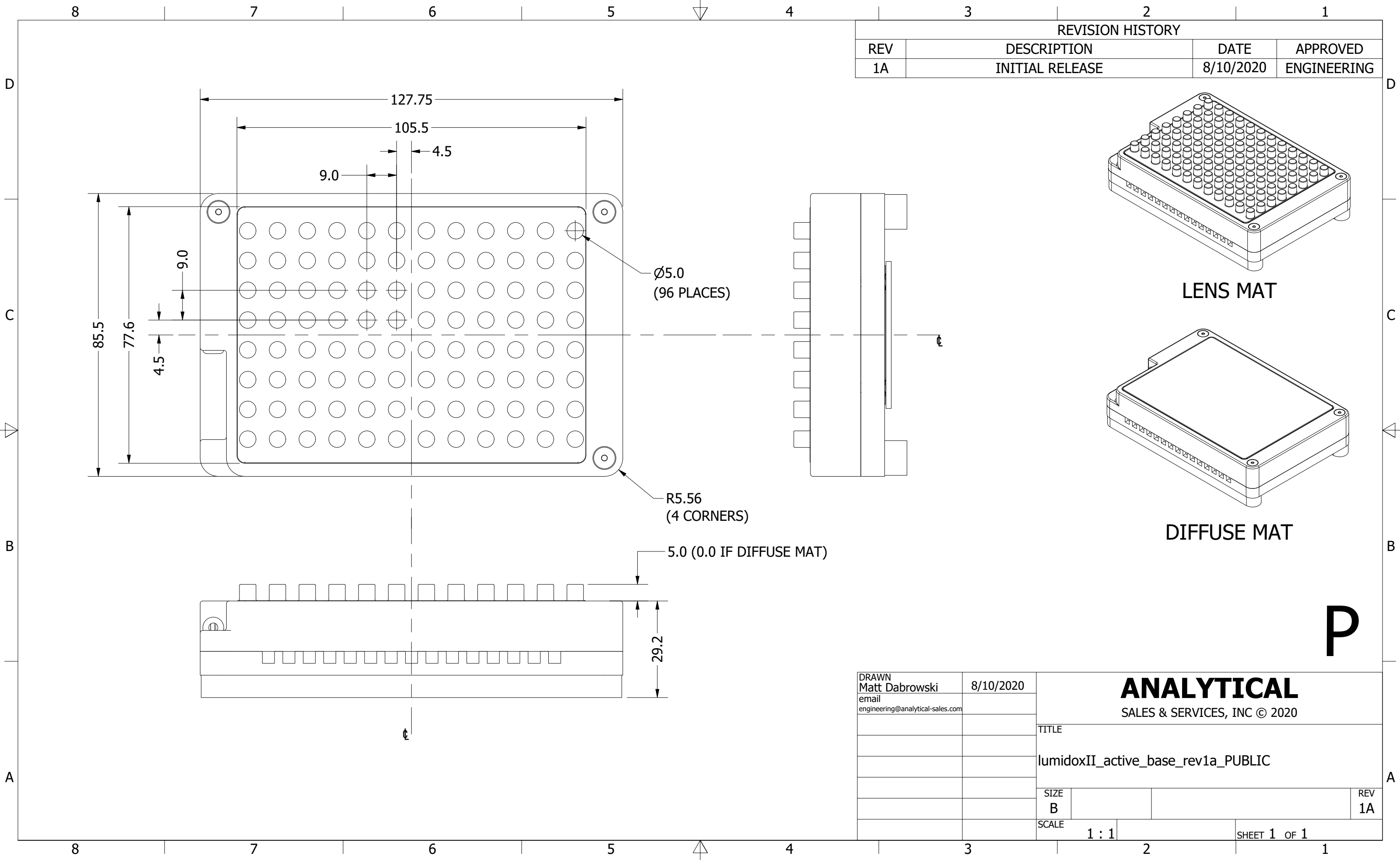
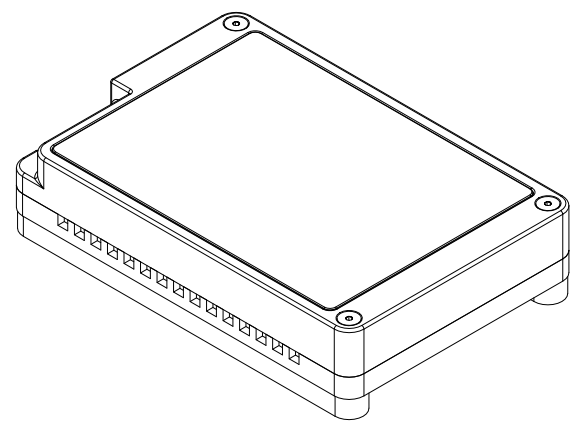


REVISION HISTORY			
REV	DESCRIPTION	DATE	APPROVED
1A	INITIAL RELEASE	8/10/2020	ENGINEERING



LENS MAT



DIFFUSE MAT

P

DRAWN Matt Dabrowski email engineering@analytical-sales.com	8/10/2020	<b>ANALYTICAL</b> SALES & SERVICES, INC © 2020	
		TITLE	
		lumidoxII_active_base_rev1a_PUBLIC	
		SIZE	REV
		B	1A
		SCALE	SHEET 1 OF 1
		1 : 1	