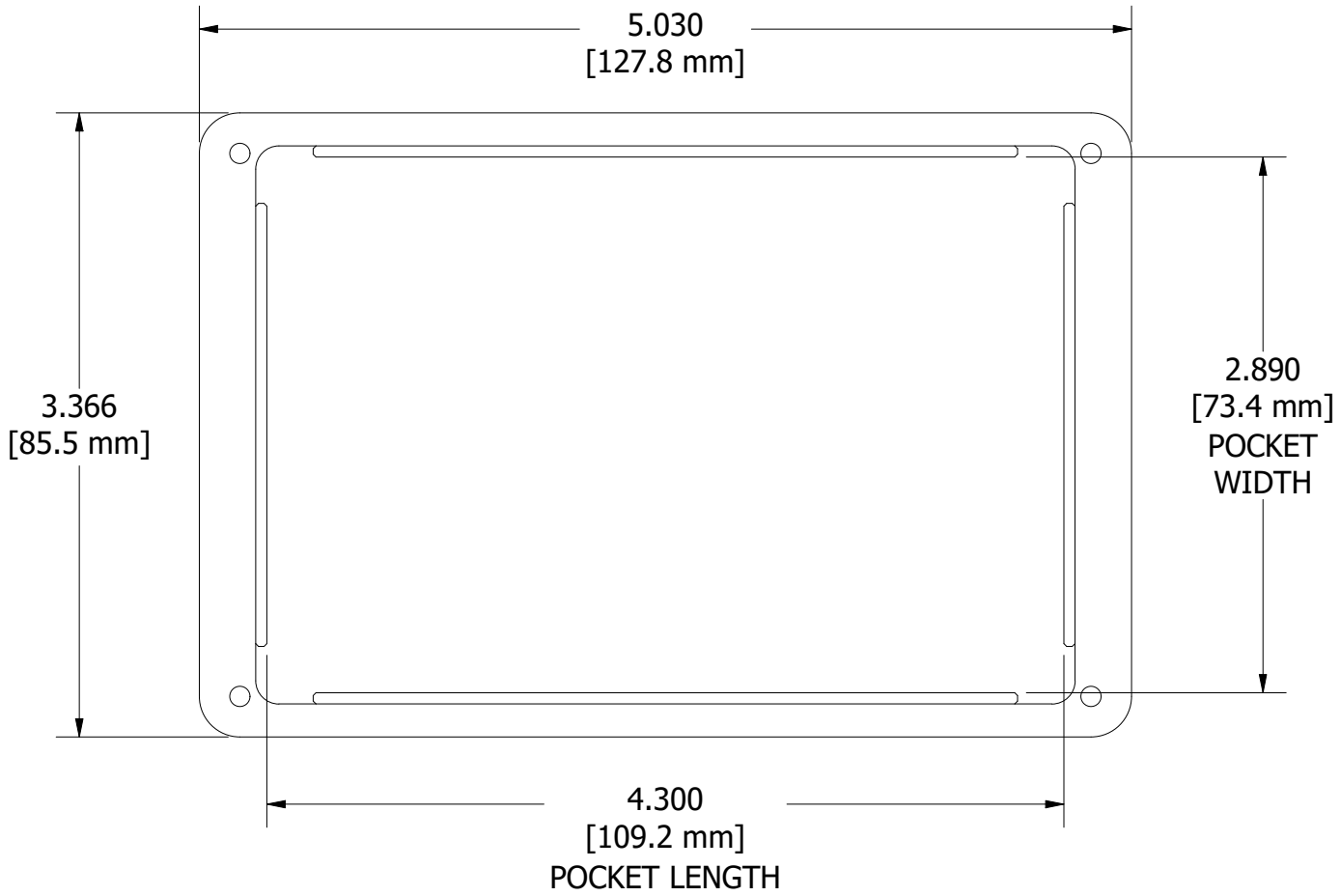


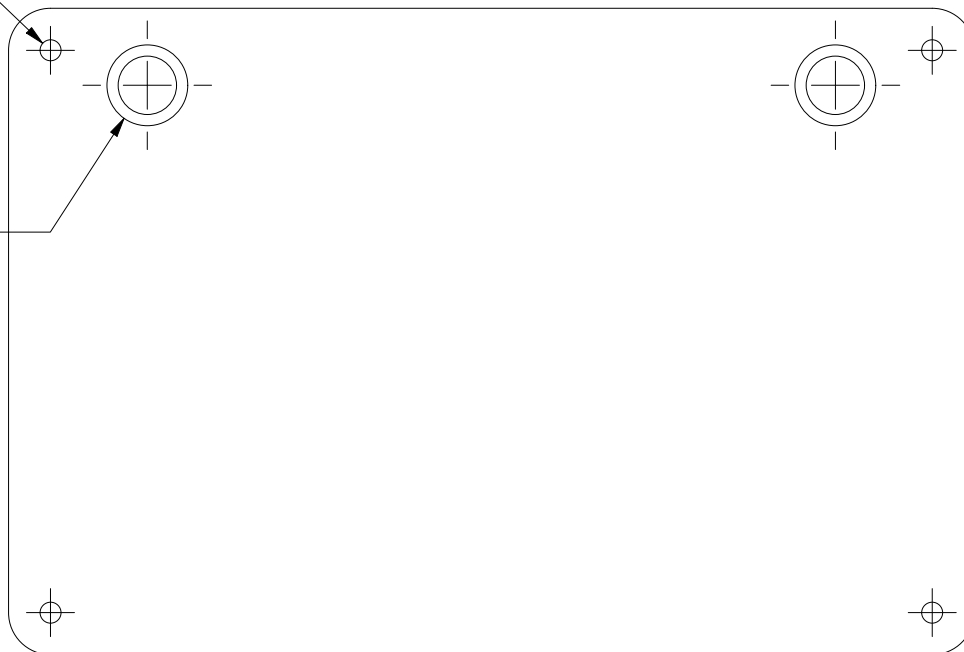
NOTES:

- 1. MATERIAL: ALUMINUM
- 2. FOR USE WITH ANY SLAS SIZED COLLECTION PLATE WITH A FLAT BOTTOM WELL GEOMETRY

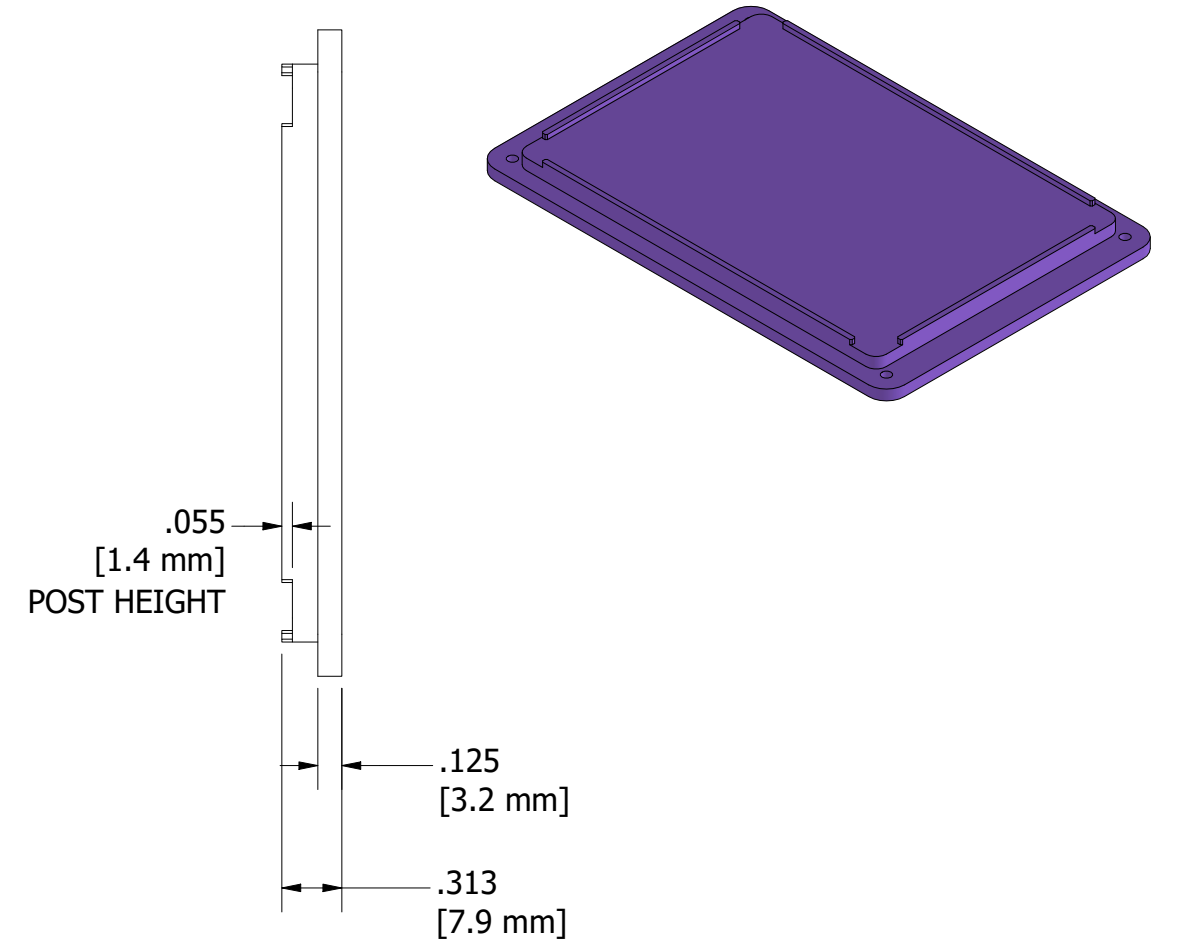


CORNERS THREADED
6-32 FOR ACCESSORY
ATTACHMENT
(4 PLACES)

FOR AUTOMATION
INTEGRATION



REVISION HISTORY			
REV	DESCRIPTION	DATE	APPROVED
1B	INITIAL RELEASE	6/27/2024	ENGINEERING
1C	ADJUSTED CORNER RADII	7/3/2024	ENGINEERING



DRAWN SAS email engineering@analytical-sales.com	6/27/2024	ANALYTICAL SALES AND SERVICES, INC © 2024	
		TITLE	
		SLAS_FLAT_TAP_rev1c_PUBLIC	
		SIZE B	REV 1C
		SCALE 1 : 1	SHEET 1 OF 1

P