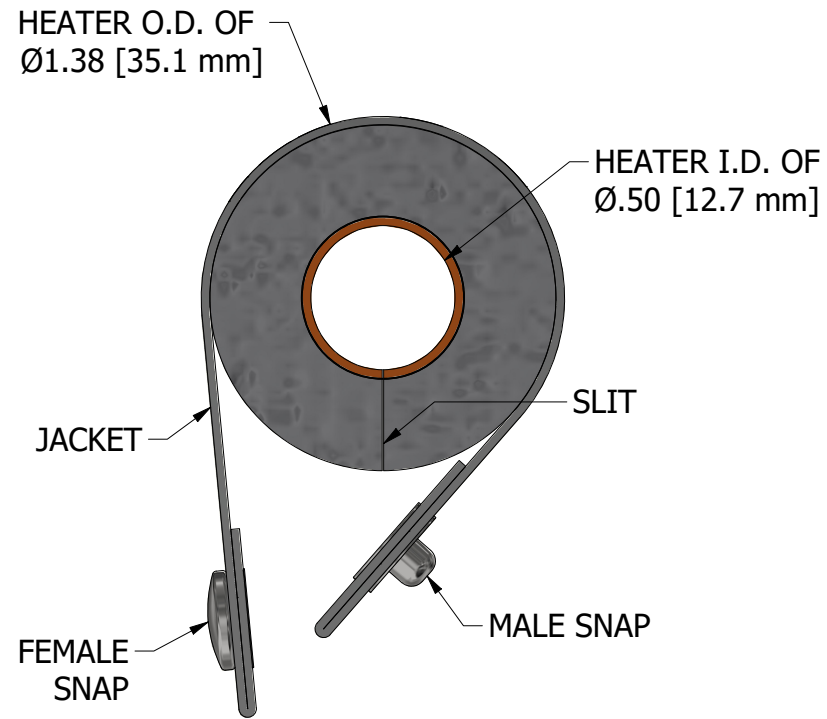
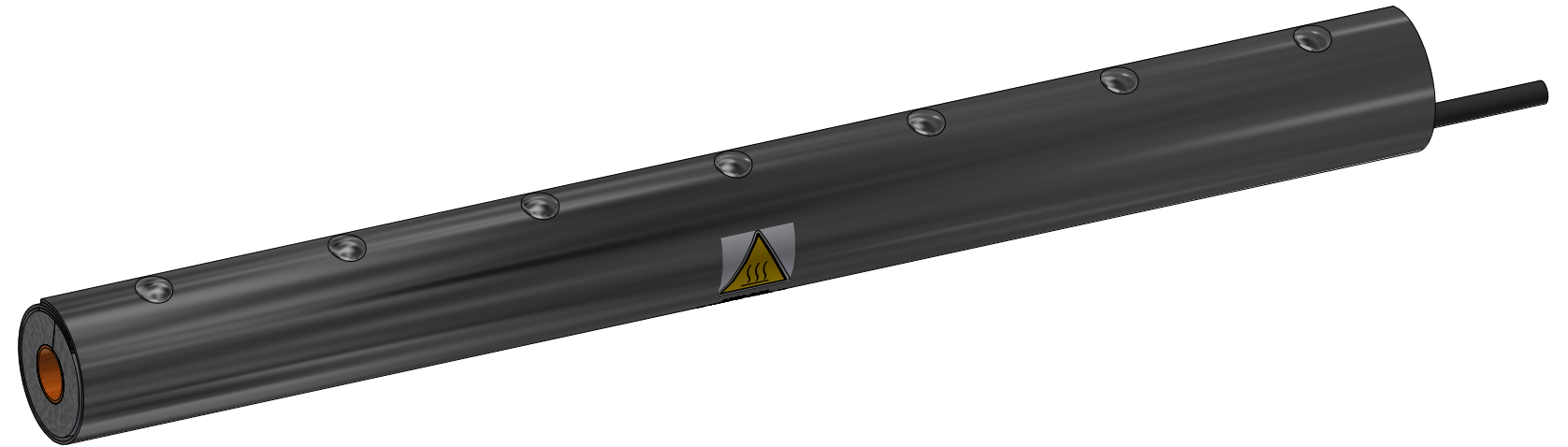


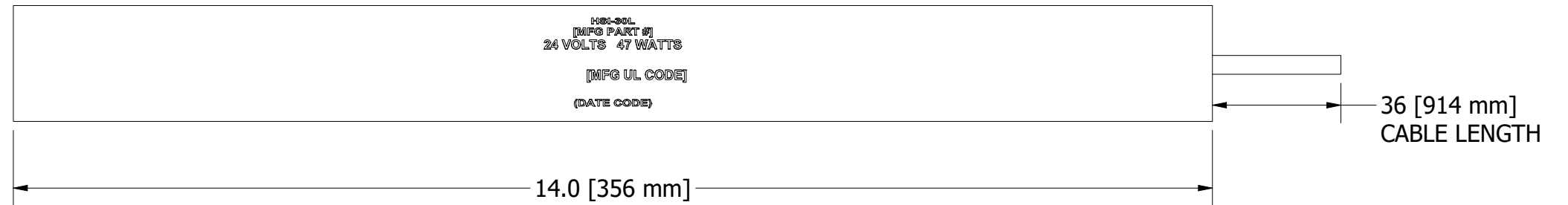
NOTES:

- 1. ELECTRICAL RATING:
VOLTS: 24
WATTS: 47
- 2. OPERATING TEMPERATURE RANGE:
5°C ABOVE AMBIENT TO 85°C

| REVISION HISTORY | | | |
|------------------|------------------------|------------|-------------|
| REV | DESCRIPTION | DATE | APPROVED |
| 1 | INITIAL PUBLIC RELEASE | 11/30/2023 | ENGINEERING |



END VIEW
SCALE 3 : 2



P

| | | | |
|----------------------------------------------------------------------|------------|---------------------------------------------------|--------------|
| DRAWN Sebastian Sosa email engineering@analytical-sales.com | 11/30/2023 | ANALYTICAL SALES & SERVICES, INC © 2023 | |
| DIMS IN INCH [MM] | | | |
| | | TITLE HSI-30L_14in_Hot_Sleeve_rev1_PUBLIC | |
| | | SIZE B | REV 1 |
| | | SCALE 3 : 5 | SHEET 1 OF 1 |