

4

3

2

1

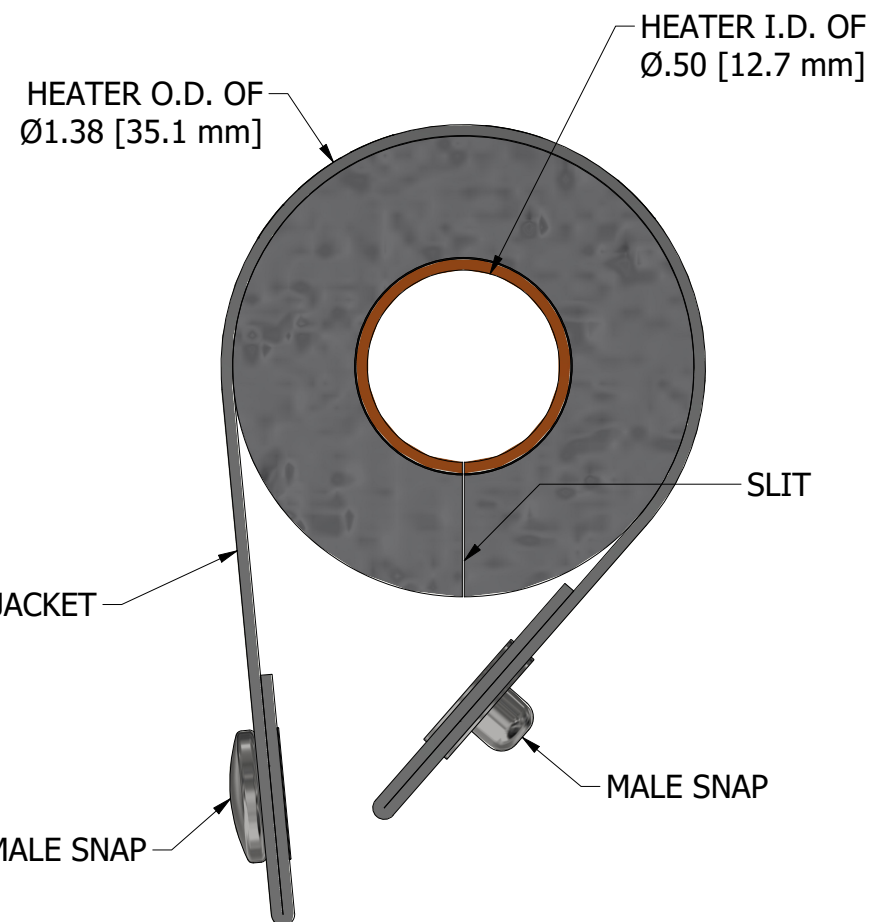
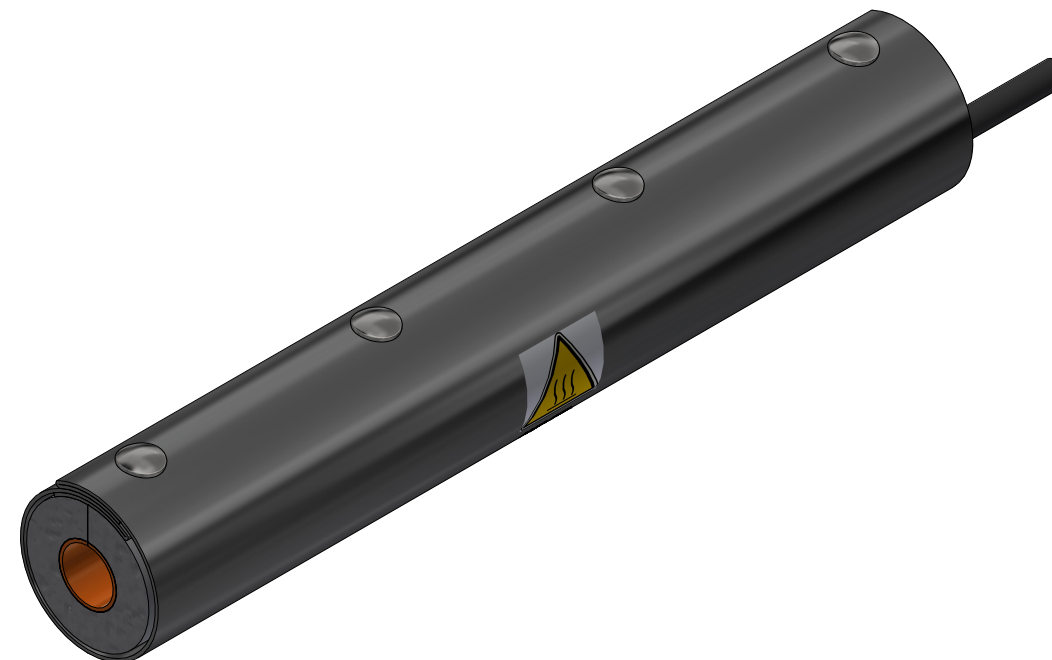
NOTES:

1. ELECTRICAL RATING:  
VOLTS: 24  
WATTS: 32

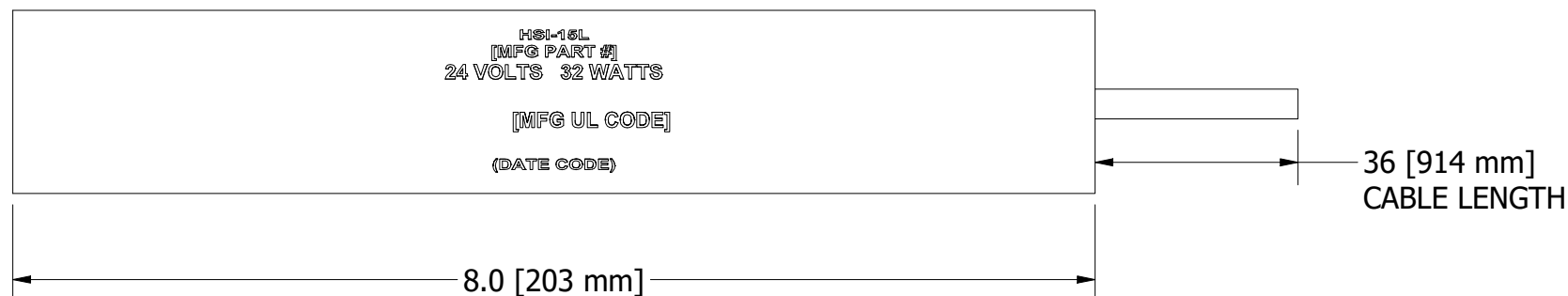
2. OPERATING TEMPERATURE RANGE:  
5°C ABOVE AMBIENT TO 85°C

REVISION HISTORY

REV	DESCRIPTION	DATE	APPROVED
1	INITIAL PUBLIC RELEASE	11/30/2023	ENGINEERING



END VIEW  
SCALE 2 : 1



P

DRAWN Sebastian Sosa email engineering@analytical-sales.com	11/30/2023	<b>ANALYTICAL</b> SALES & SERVICES, INC © 2023	
DIMS IN INCH [MM]	TITLE HSI-15L_8in_Hot_Sleeve_rev1_PUBLIC		
	SIZE B		REV 1
	SCALE 3 : 4	SHEET 1 OF 1	

4

3

2

1