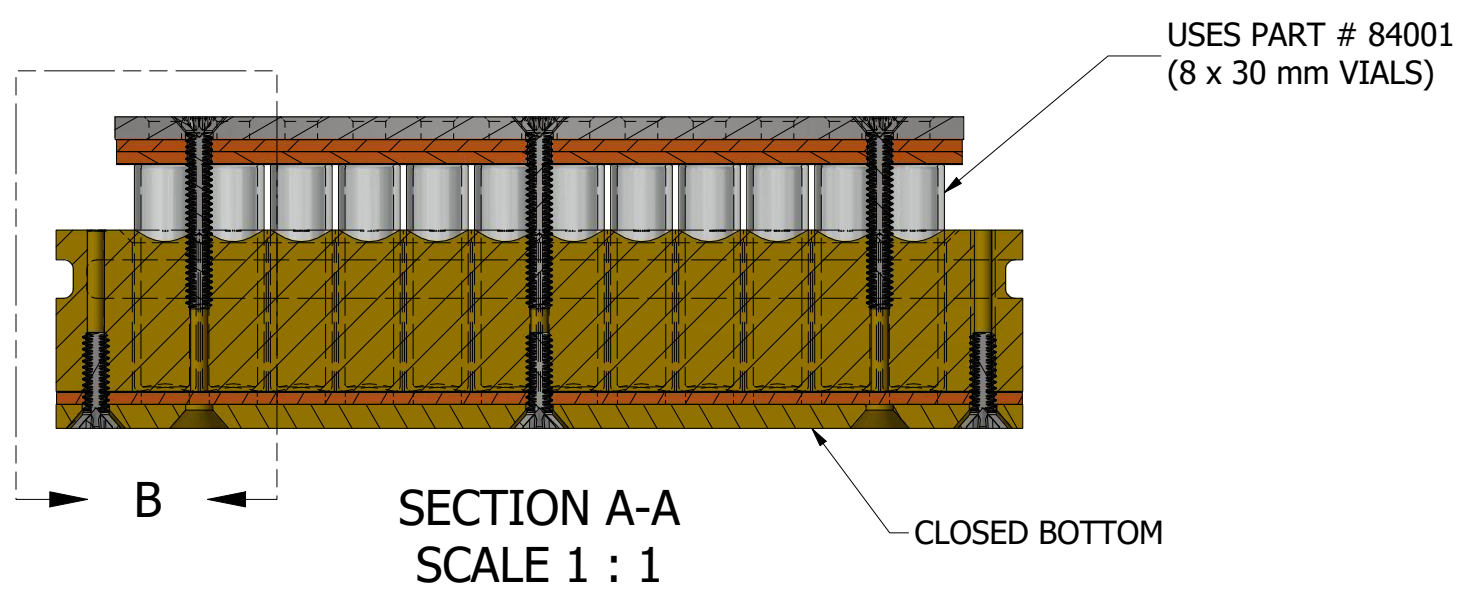
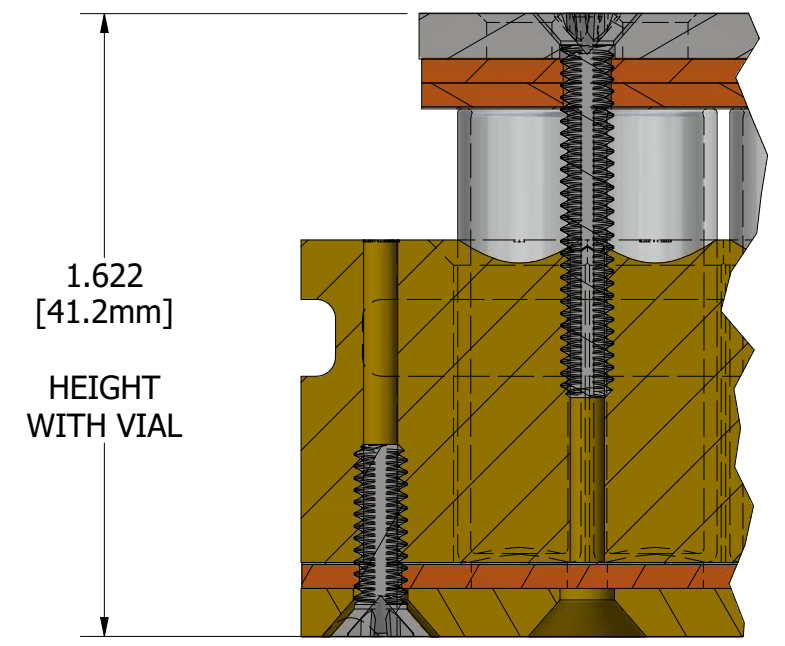
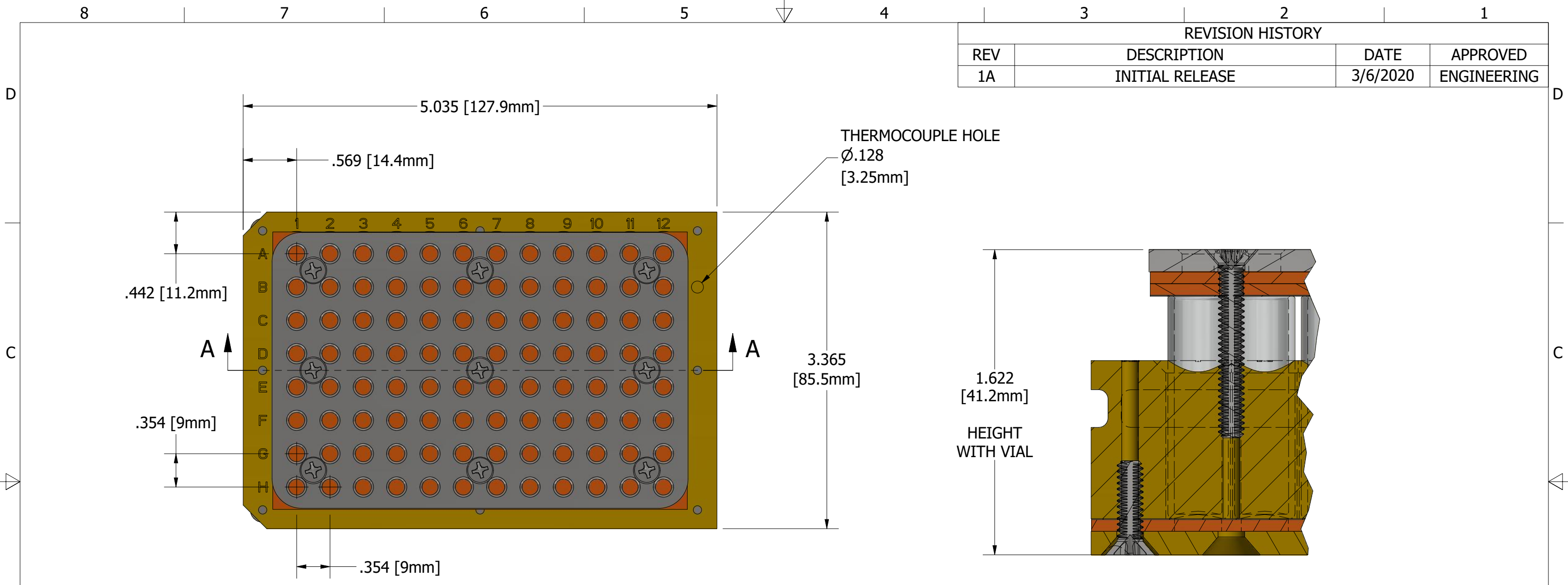


REVISION HISTORY			
REV	DESCRIPTION	DATE	APPROVED
1A	INITIAL RELEASE	3/6/2020	ENGINEERING



DRAWN MD	3/6/2020	<b>ANALYTICAL</b> SALES & SERVICES, INC © 2020	
		TITLE 96960_with_96986_rev1a_PUBLIC	
		SIZE B	REV 1A
		SCALE 1 : 1	SHEET 1 OF 1

P

A