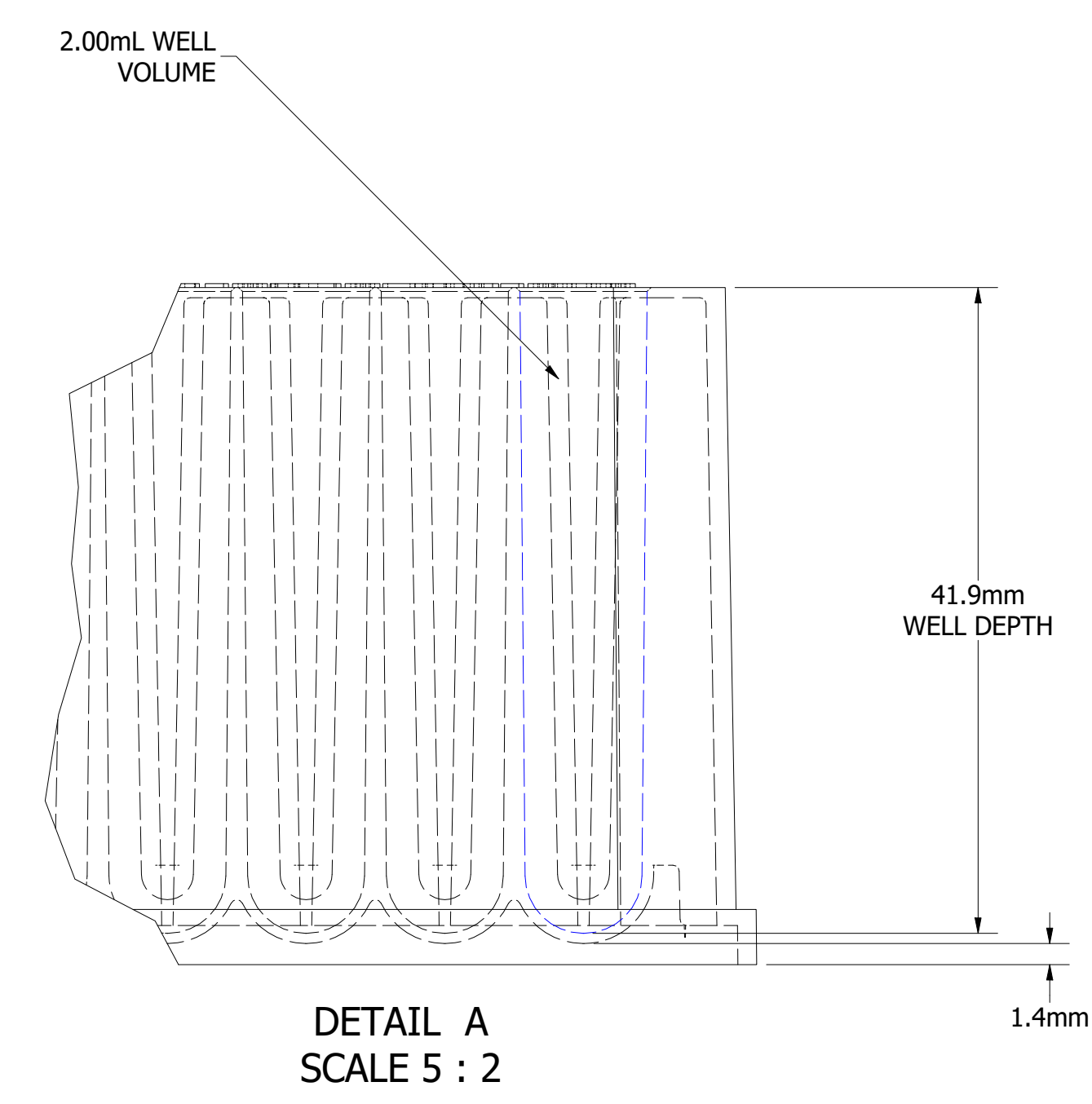
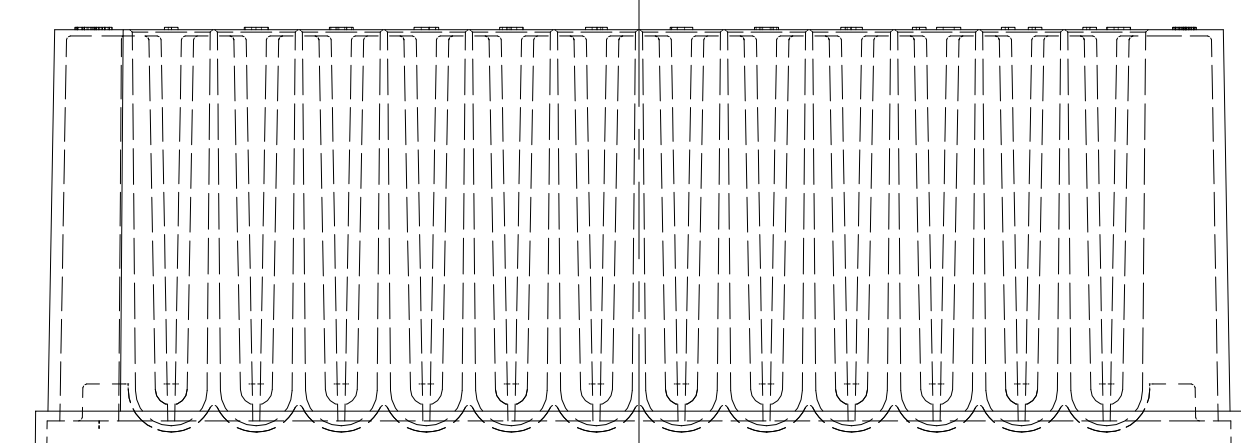
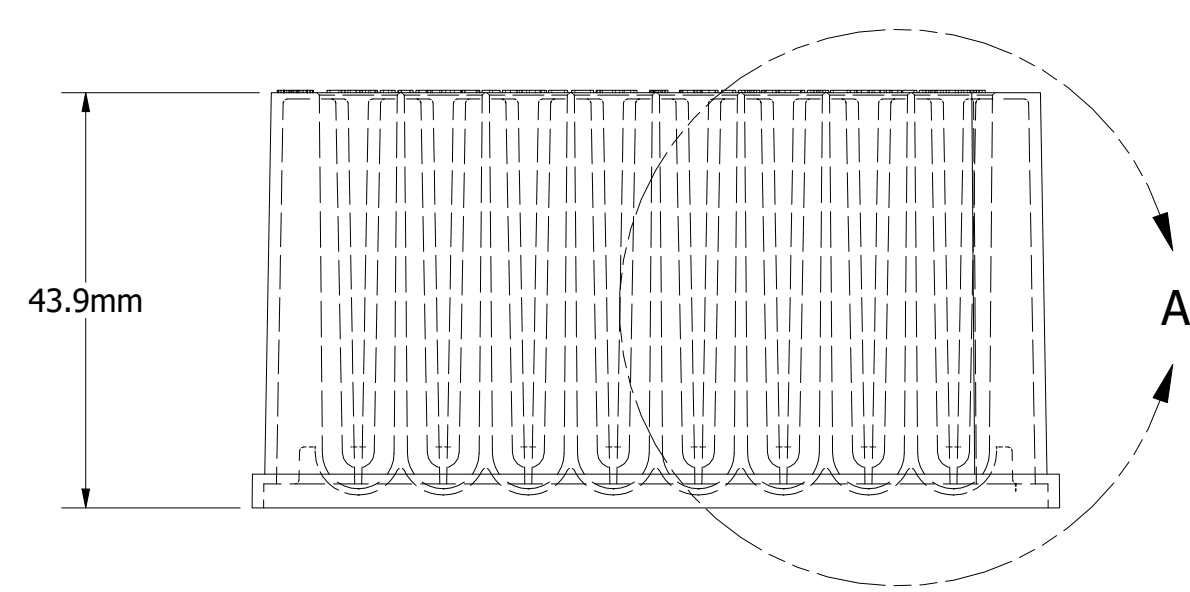
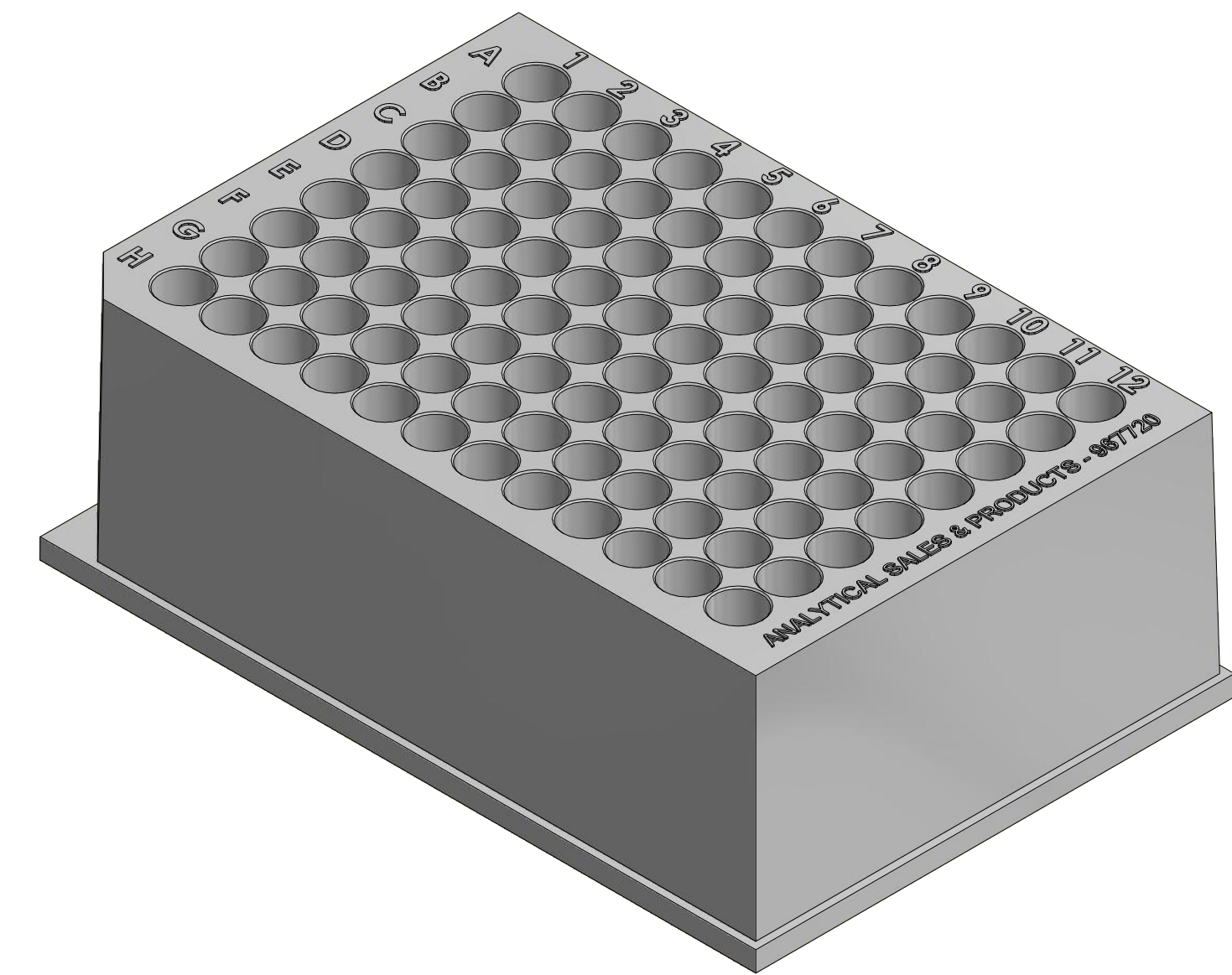
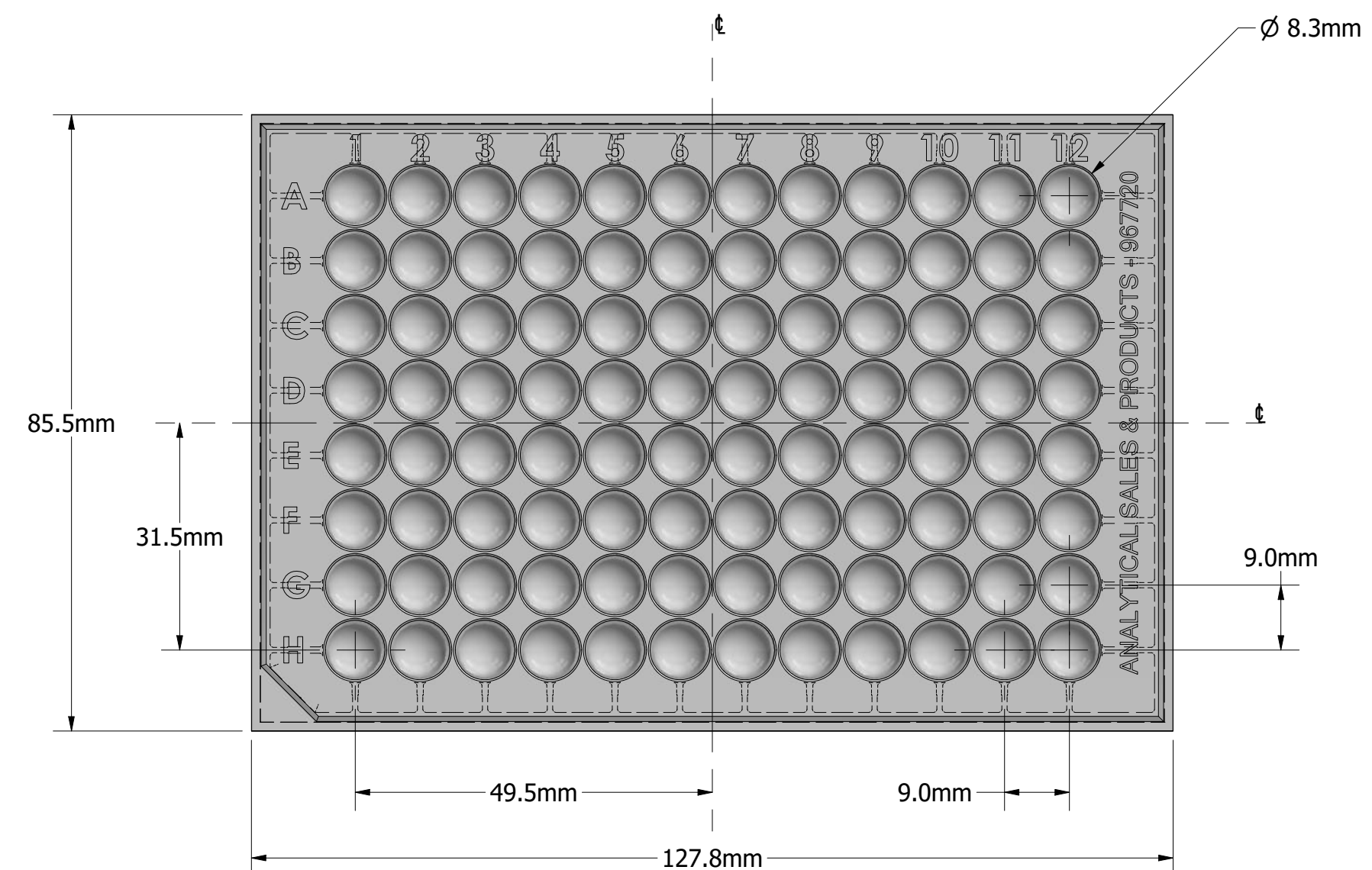
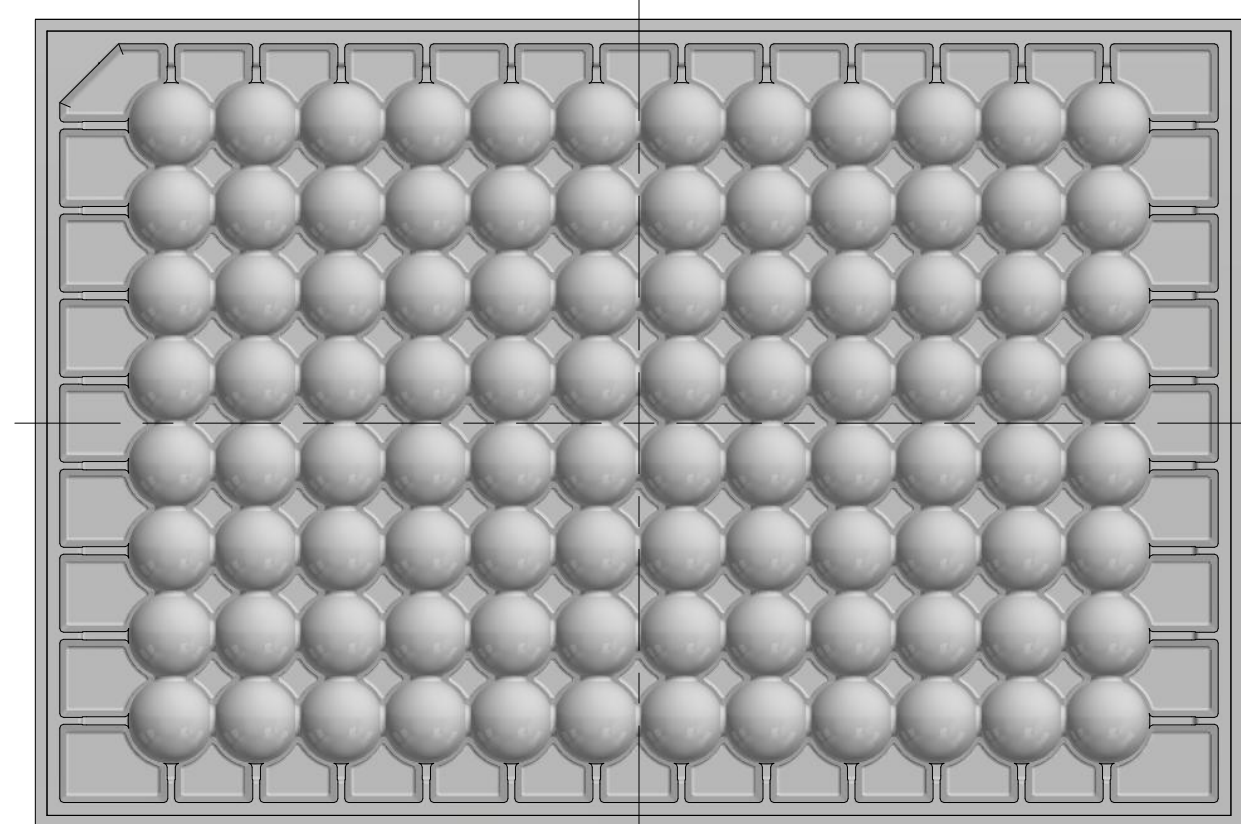


REVISION HISTORY			
REV	DESCRIPTION	DATE	APPROVED
4	UPDATED RELEASE	4/29/2020	ENGINEERING

TOP VIEW



BOTTOM VIEW



DRAWN Matt Dabrowski	4/29/2020	ANALYTICAL SALES & SERVICES, INC © 2020	
		TITLE 967720_2ml_roundbottom_rev4_PUBLIC	
		SIZE D	REV 4
		SCALE 5 : 4	SHEET 1 OF 1

P