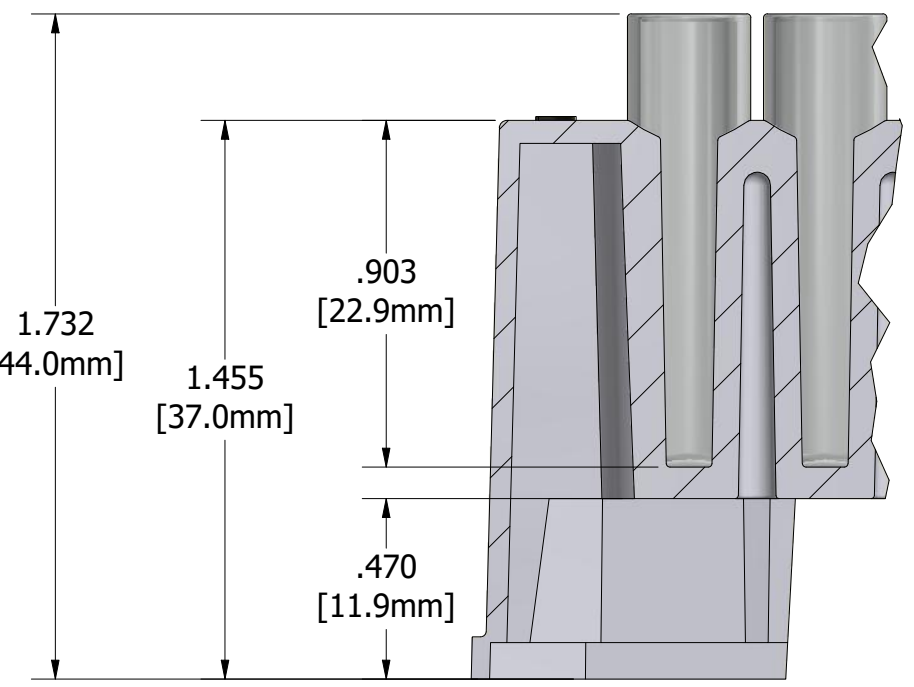
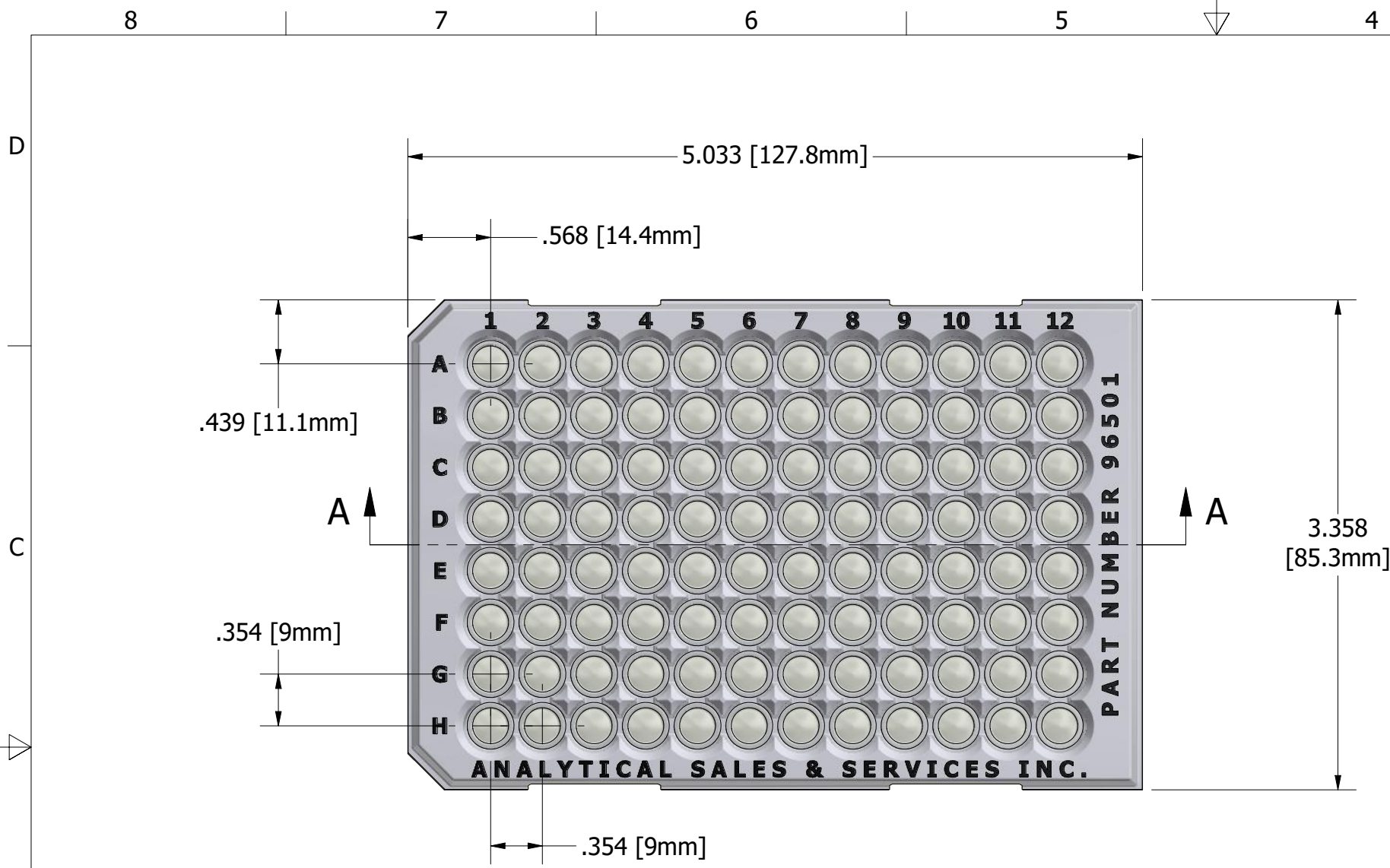
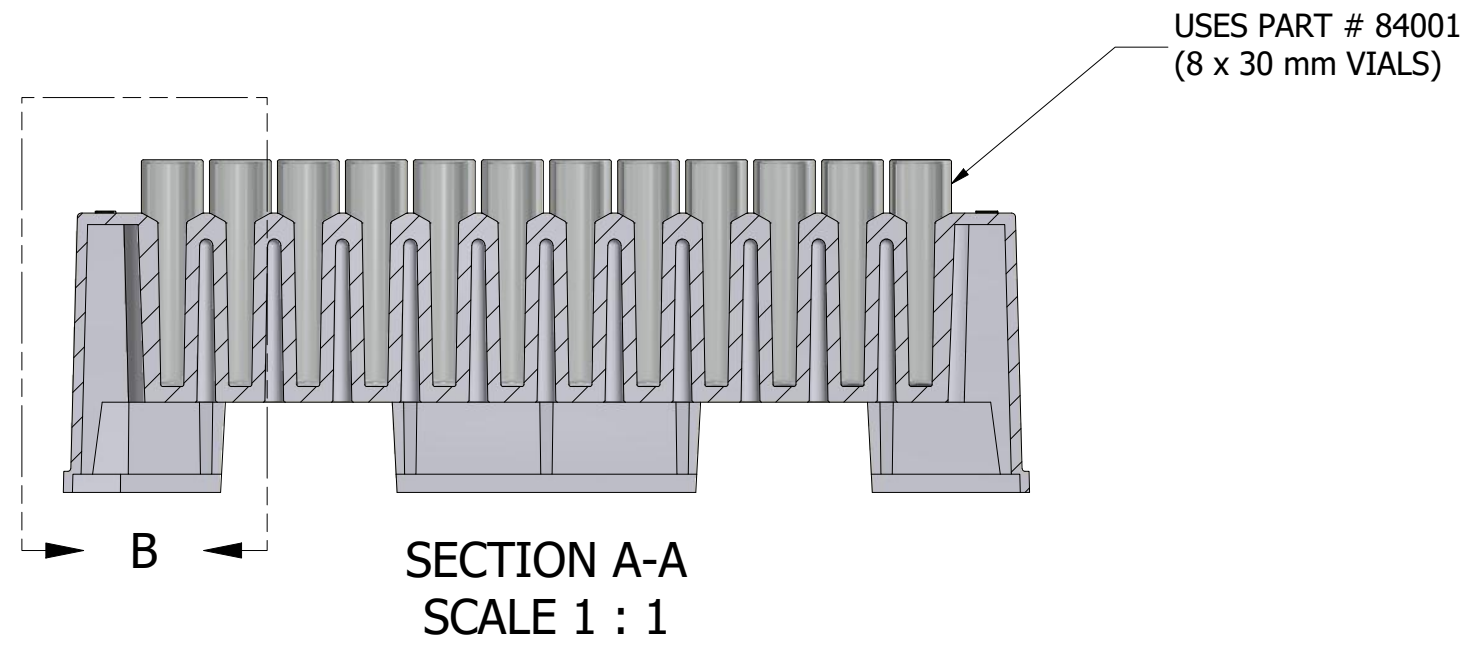


REVISION HISTORY			
REV	DESCRIPTION	DATE	APPROVED
1G	INITIAL PUBLIC PRINT RELEASE	10/29/2019	ENGINEERING



DETAIL B  
SCALE 2 : 1



DRAWN MD	10/29/2019	<b>ANALYTICAL</b> SALES & SERVICES, INC © 2019	
		TITLE	
		96501_rev1g_PUBLIC	
		SIZE B	REV 1G
		SCALE 1 : 1	SHEET 1 OF 1

P

A

A