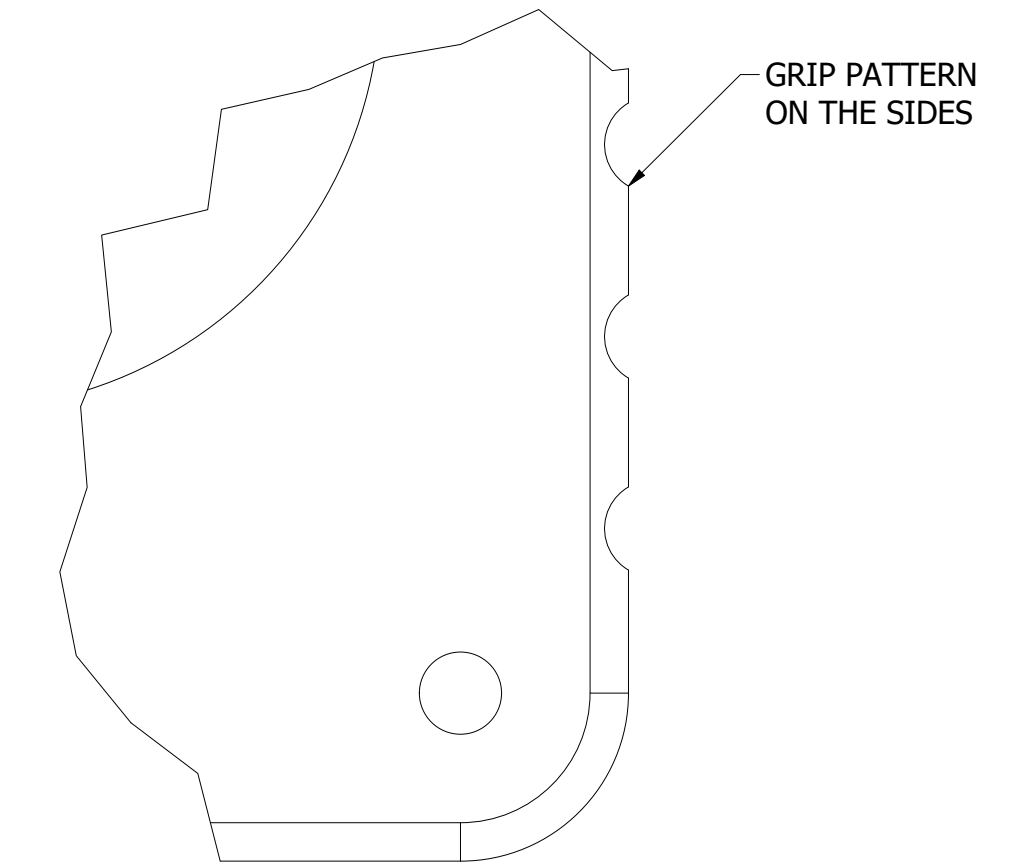
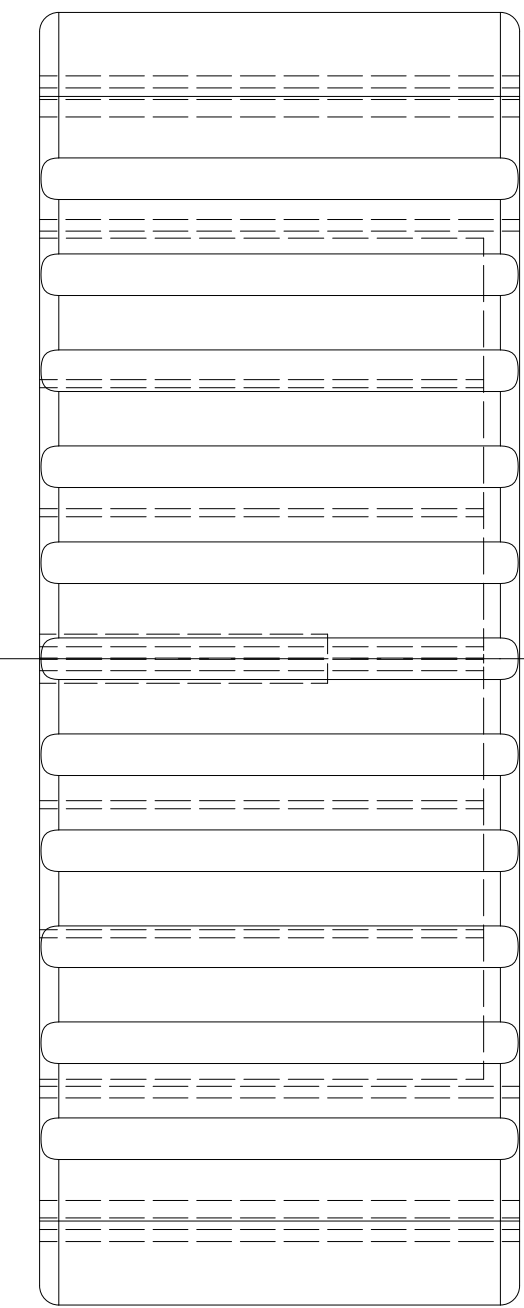
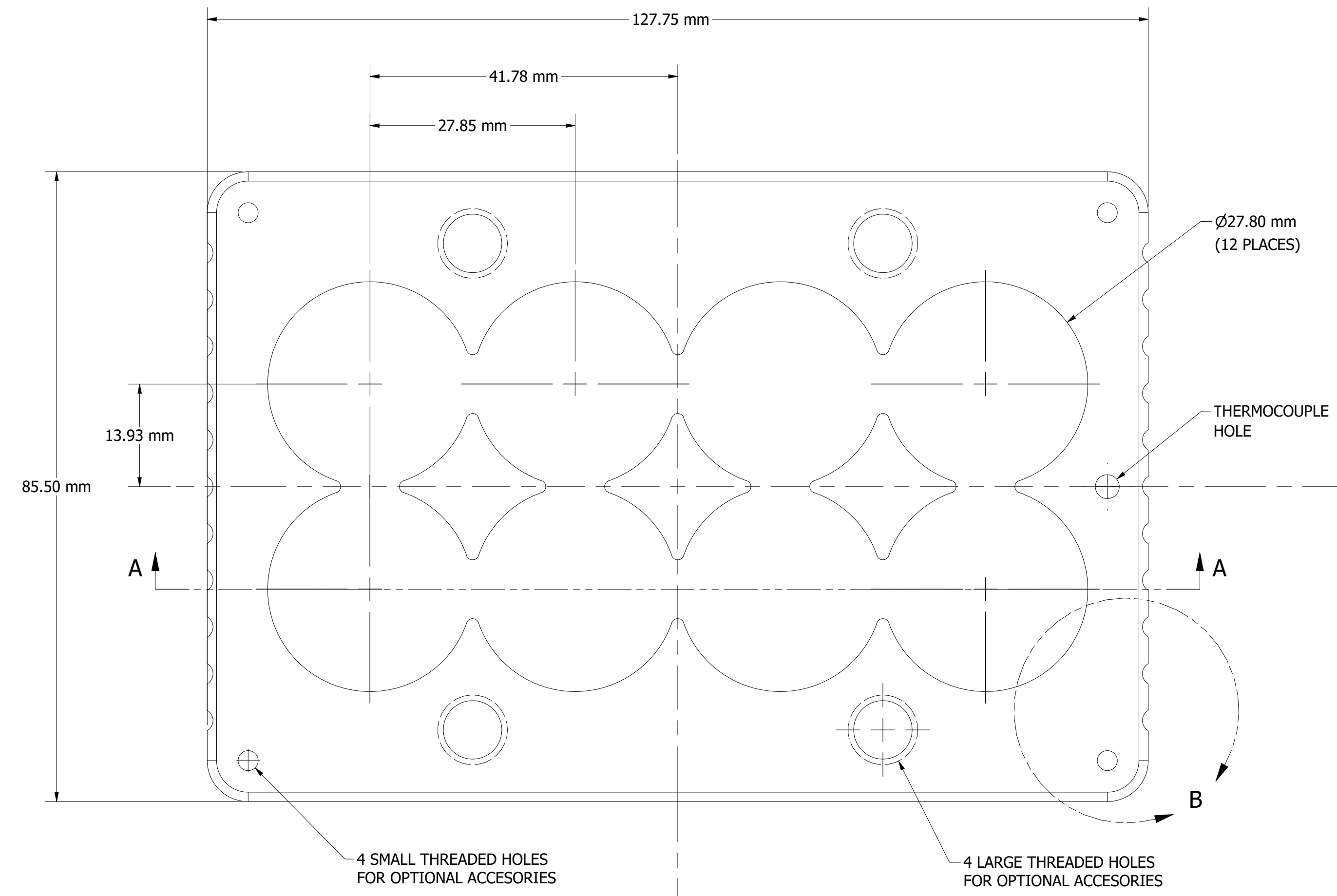
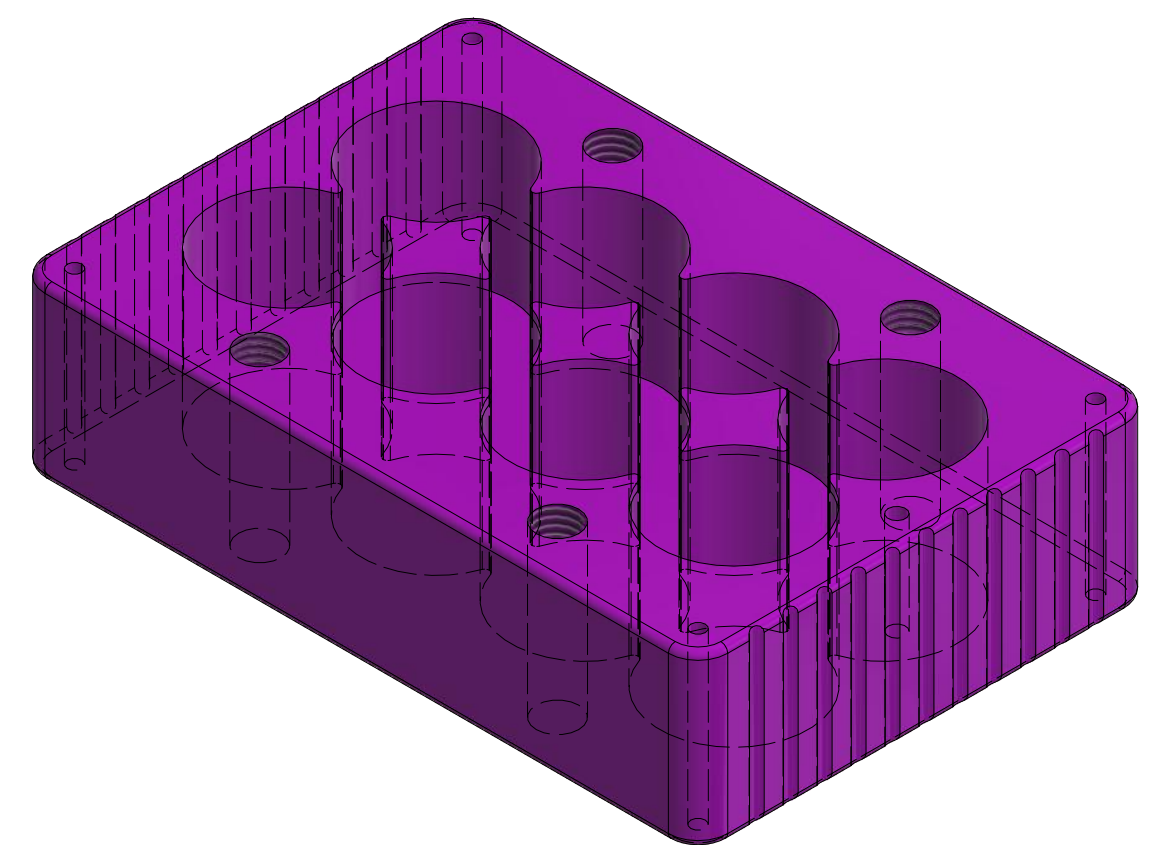
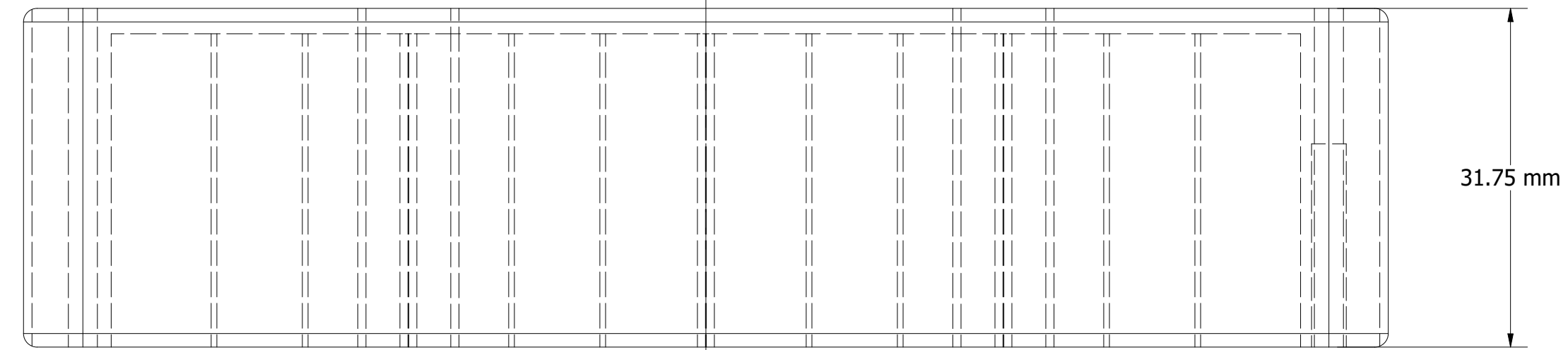
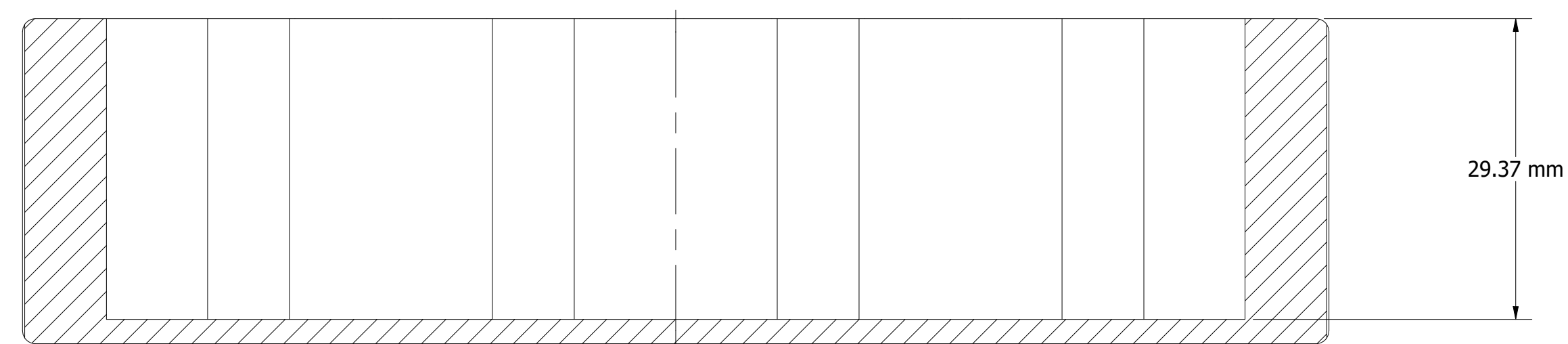


REVISION HISTORY			
REV	DESCRIPTION	DATE	APPROVED
1A	INITIAL RELEASE	7/9/2020	ENGINEERING
1B	REDUCED 6-32 TAP DEPTH	7/16/2020	ENGINEERING

- NOTES:
 1. ALL DIMENSIONS IN INCHES
 2. MATERIAL: PURPLE ANODIZED ALUMINUM



DETAIL B
SCALE 4 : 1



SECTION A-A
SCALE 2 : 1

P

DRAWN Matt Dabrowski email engineering@analytical-sales.com		7/9/2020	ANALYTICAL SALES & SERVICES, INC © 2020	
TITLE				
			962761_rev1b_PUBLIC	
SIZE	D			REV 1B
SCALE	2 : 1			SHEET 1 of 1