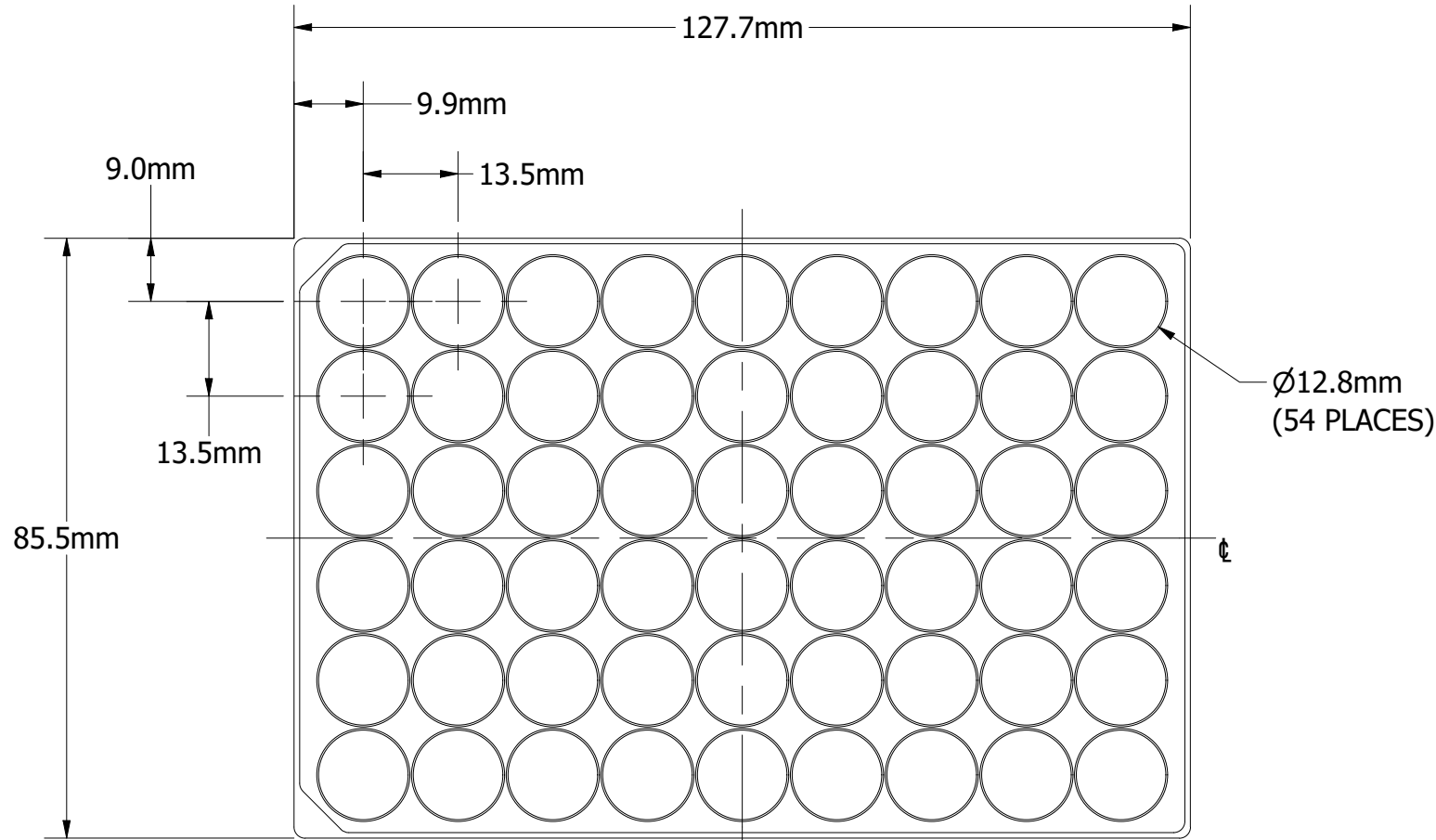
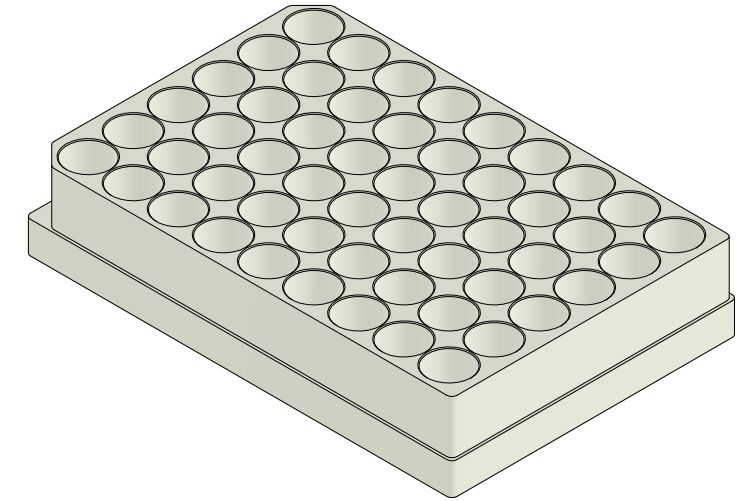


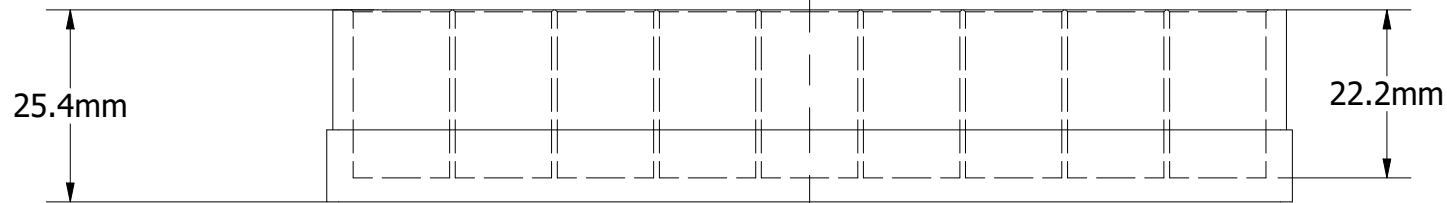
NOTES:

1. MATERIAL: PLASTIC

REVISION HISTORY			
REV	DESCRIPTION	DATE	APPROVED
1A	INITIAL RELEASE	4/20/2022	ENGINEERING



Ø12.8mm
(54 PLACES)



P

DRAWN Matt Dabrowski email engineering@analytical-sales.com	4/20/2022	ANALYTICAL SALES AND SERVICES, INC © 2022	
All Dimensions [mm]		TITLE 96054_rev1a_public	
Tolerance (Unless Noted):		SIZE B	REV 1A
X.XX = ± 0.10		SCALE 1 : 1	
X.X = ± 0.4		SHEET 1 OF 1	