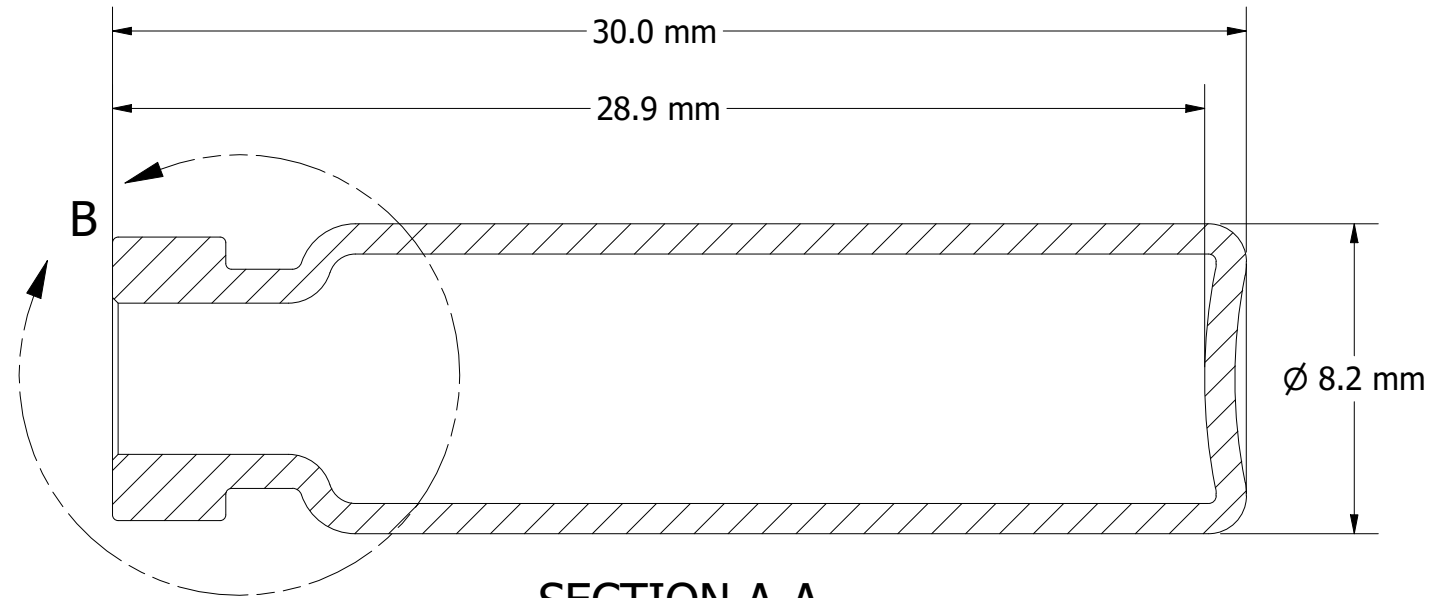


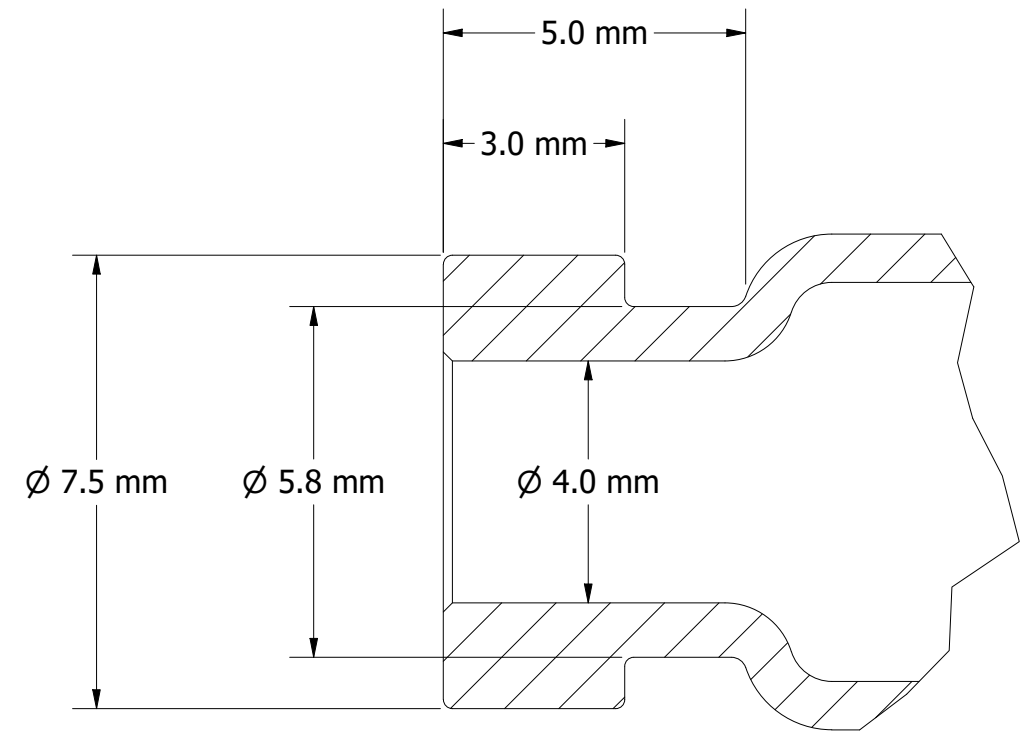
NOTES:

- 1. MATERIAL: CLEAR GLASS
- 2. TOTAL WORKING VOLUME APPROXIMATELY 700 μ L

REVISION HISTORY			
REV	DESCRIPTION	DATE	APPROVED
1A	INITIAL RELEASE	03/14/2023	ENGINEERING

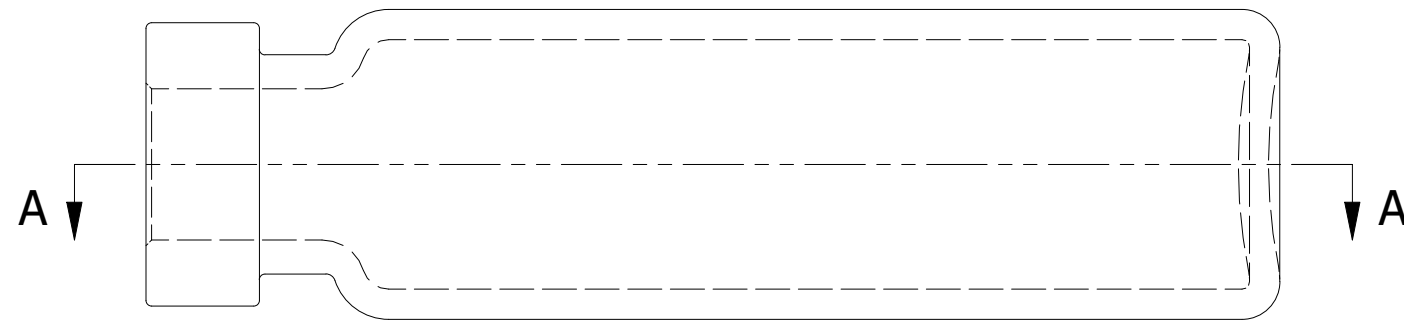


SECTION A-A
SCALE 5 : 1



DETAIL B
SCALE 8 : 1

P



DRAWN Matt Dabrowski email engineering@analytical-sales.com	03/14/2023	ANALYTICAL SALES & SERVICES, INC © 2023	
		TITLE	
		84008_8x30mm_crimptop_rev1a_P	
		SIZE B	REV 1A
		SCALE 5 : 1	SHEET 1 OF 1