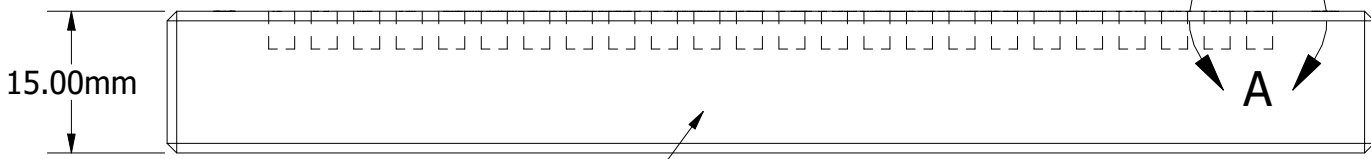
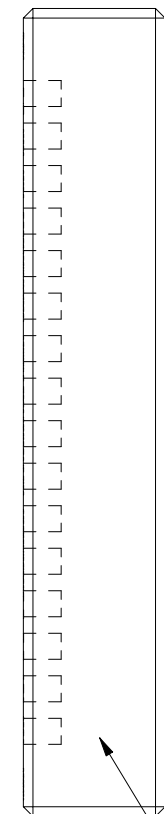
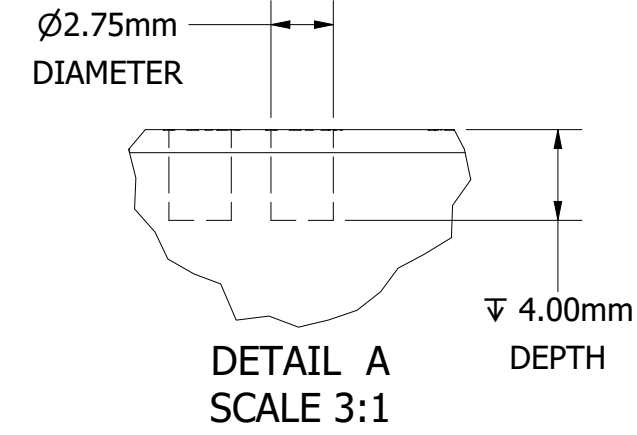
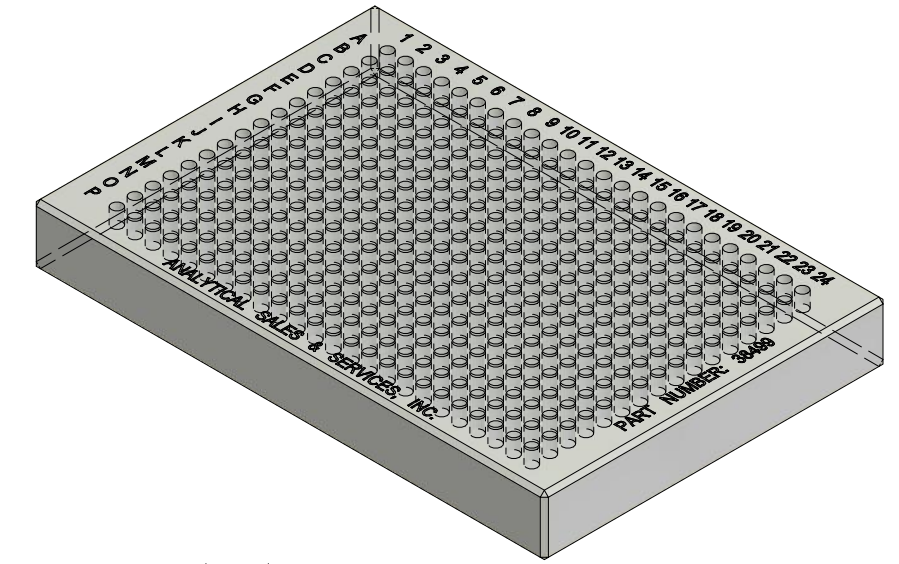
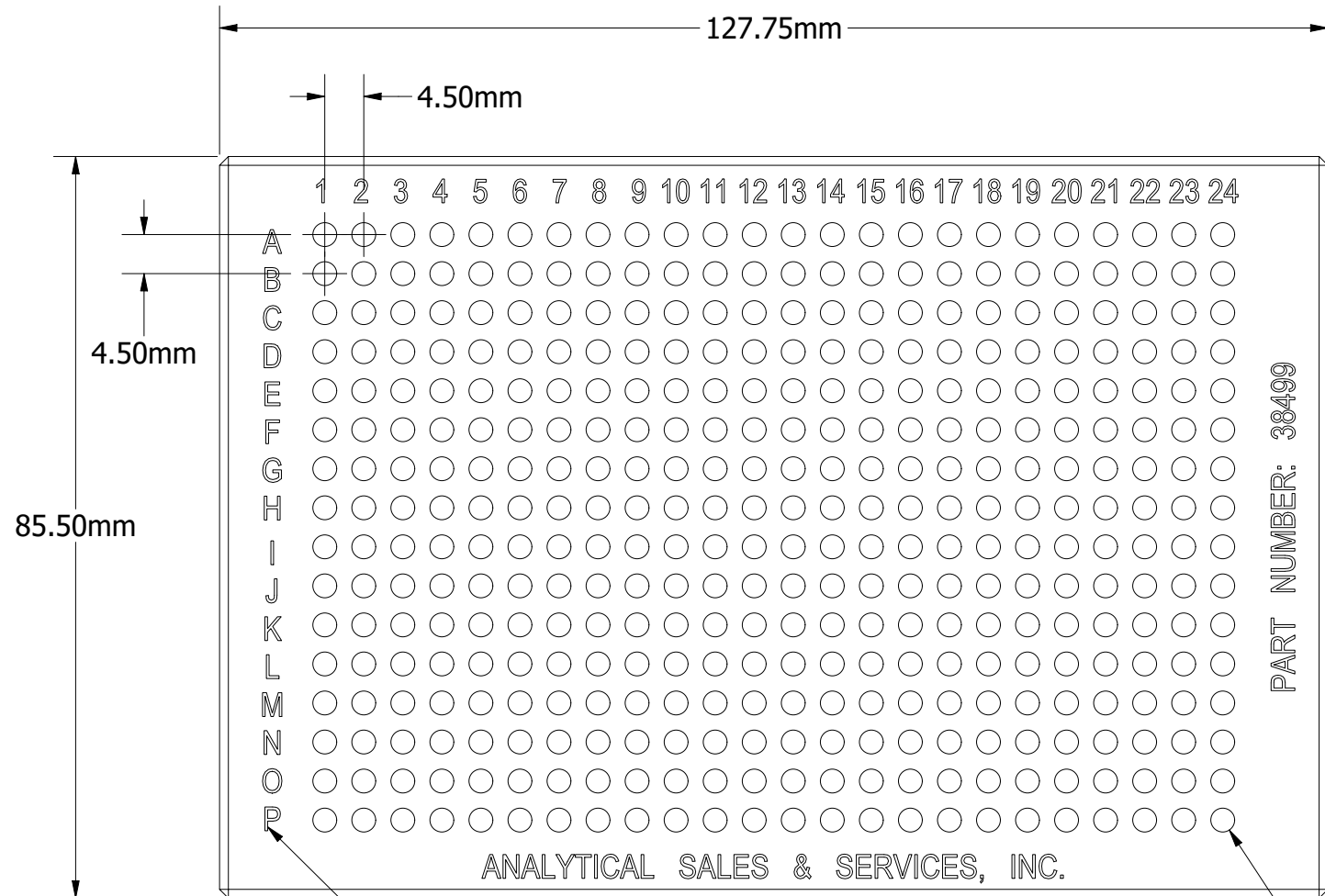


NOTES:

1. MATERIAL IS BOROSILICATE GLASS
2. PLATE POLISHED CLEAR
3. FULL CAPACITY OF WELL = 24 μ L

REVISION HISTORY			
REV	DESCRIPTION	DATE	APPROVED
2C	CUSTOMER-RELEASE PRINT	11/5/2018	ENGINEERING
2D	TOLERANCE UPDATE	11/10/2020	ENGINEERING
2E	ENGINEERING DIMENSIONAL ADJUSTMENT	11/30/2020	ENGINEERING



ALL TEXT ETCHED ONTO TOP SURFACE

Ø2.75mm DIAMETER
 ▽ 4.00mm DEPTH
 (384 PLACES)

SIDE EDGES CLEAR

DRAWN Matt Dabrowski email engineering@analytical-sales.com	11/5/2018	ANALYTICAL	
		SALES & SERVICES, INC © 2020	
		TITLE	
		38499_384_well_glass_plate_rev2e_P	
	SIZE		REV
	B		2E
	SCALE	5:4	SHEET 1 OF 1

P

A