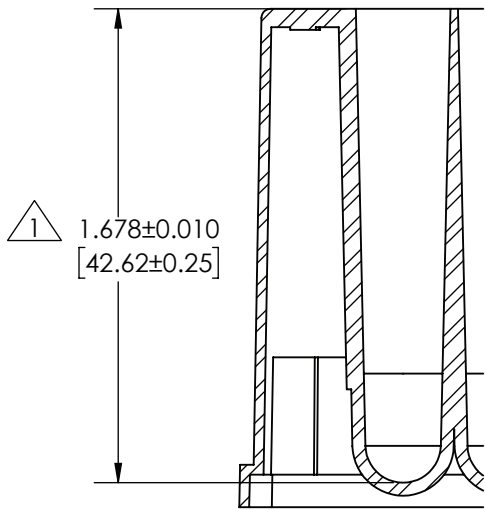
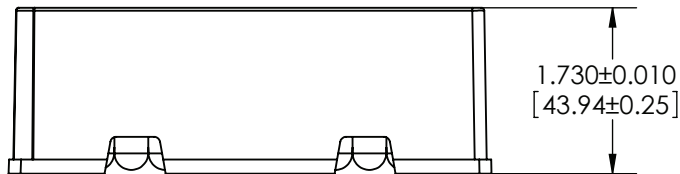
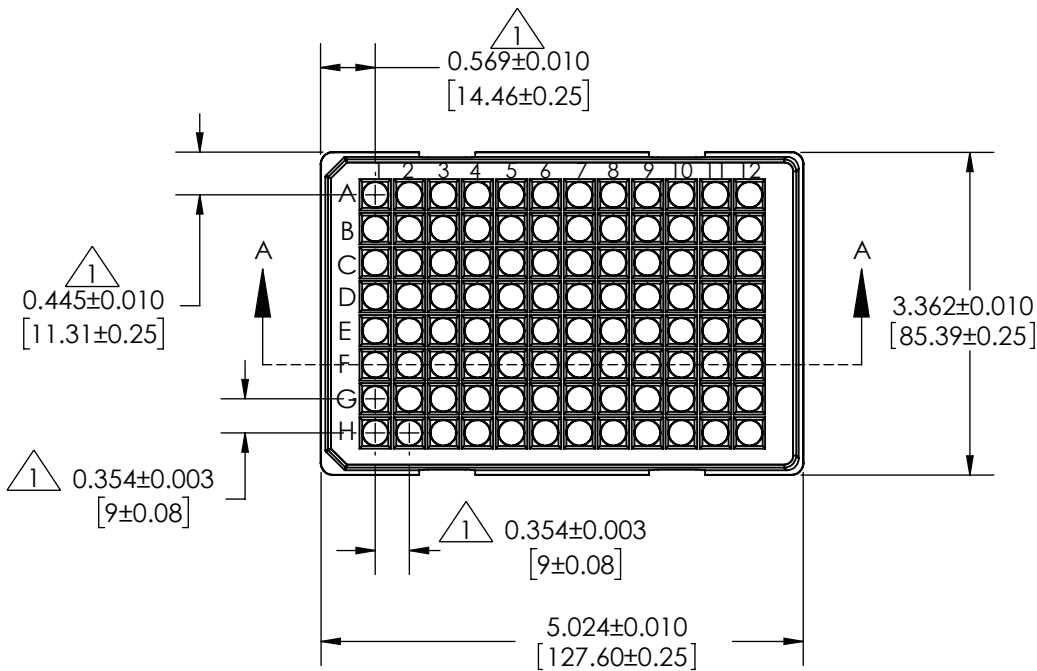
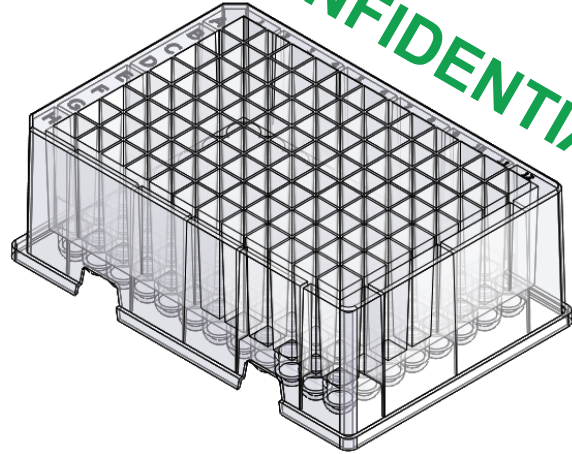


**CONFIDENTIAL**



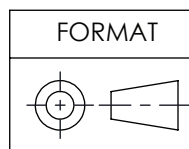
SECTION A-A



179 Rt 206, Flanders, NJ 07836  
973-616-0700 • www.analytical-sales.com

**PROPRIETARY AND CONFIDENTIAL:**

**ANY REPRODUCTION IN PART  
OR AS A WHOLE WITHOUT  
WRITTEN PERMISSION  
IS PROHIBITED.**



1	2017/06/08	ADD WELL DIMENSIONS	A.P.
	DATE	DESCRIPTION	BY
TITLE:		27P557	
MATERIAL:		POLYPROPYLENE	
REF.:	SCALE:		N.T.S.
BY:	DATE:		2013/05/15
DRAWING:	PAGE:	1 / 1	REV.: 1