

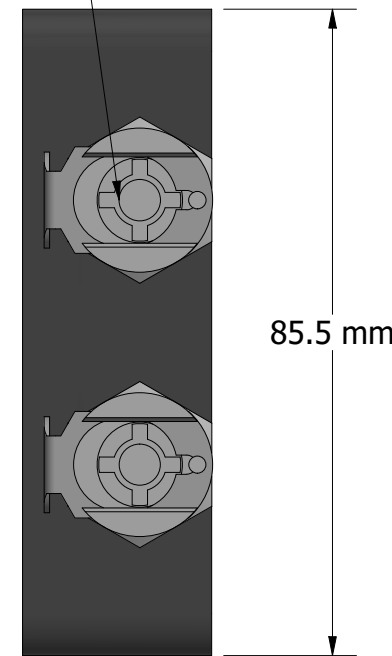
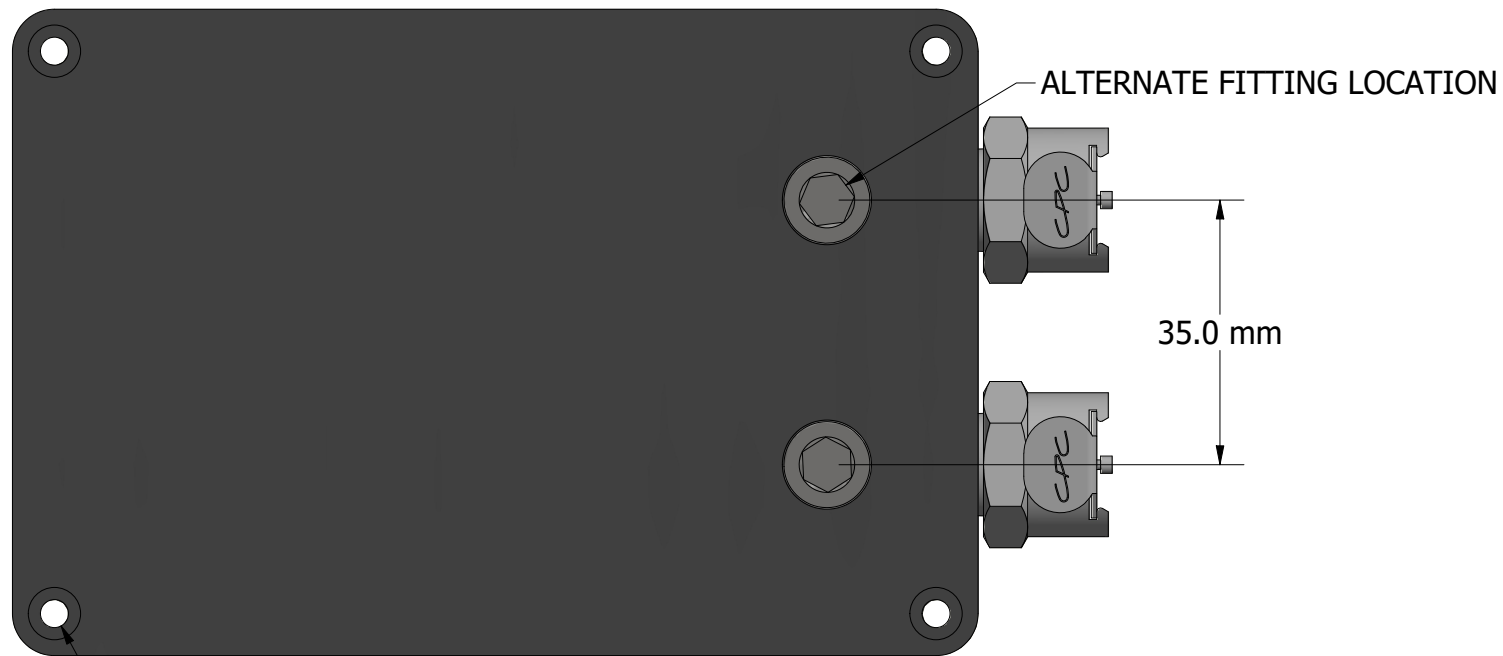
NOTES:

1. MASS: 772.5 g
2. COMPATIBLE WITH ANALYTICAL SALES AND SERVICES PRODUCTS;
ATTACH TO LUMIDOX SOLID BASE ARRAYS,
REACTOR TOP AND BOTTOM, ETC.

REVISION HISTORY			
REV	DESCRIPTION	DATE	APPROVED
1A	INITIAL RELEASE	1/14/2022	ENGINEERING

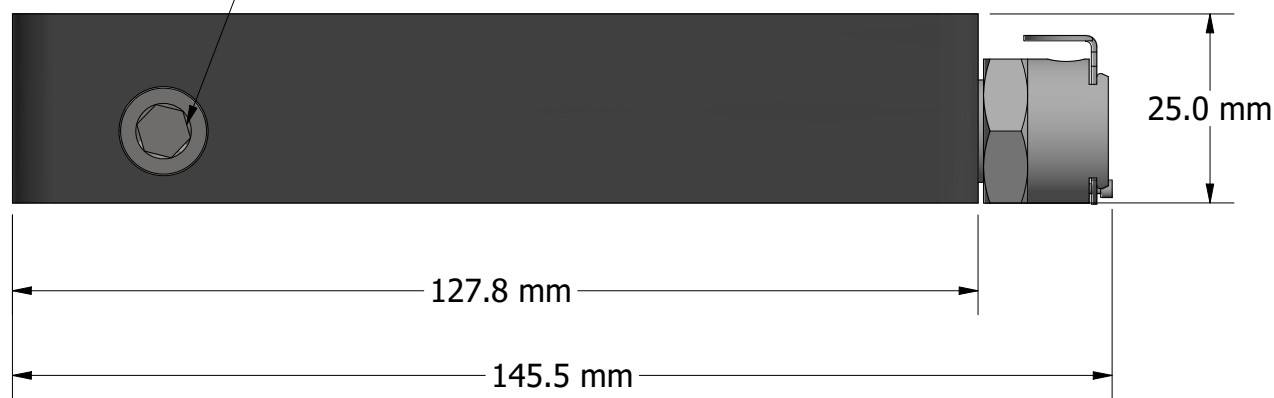


HIGH-END VALVED SPILL-PROOF FITTINGS



Ø3.7 mm THROUGH
(SEE NOTE 2)

PERMANENT FITTING LOCATION
(NOT TO BE REMOVED)



DRAWN Jabari Mallory email engineering@analytical-sales.com	1/14/2022	ANALYTICAL SALES AND SERVICES, INC © 2022	
TOLERANCE (Unless Noted):			
.XXX = ± .005		TITLE 266540_TTD_plus_rev2c_P	
.XX = ± .015		SIZE B	REV 1A
Angular ± 2°		SCALE 1 : 1	SHEET 1 OF 1

P