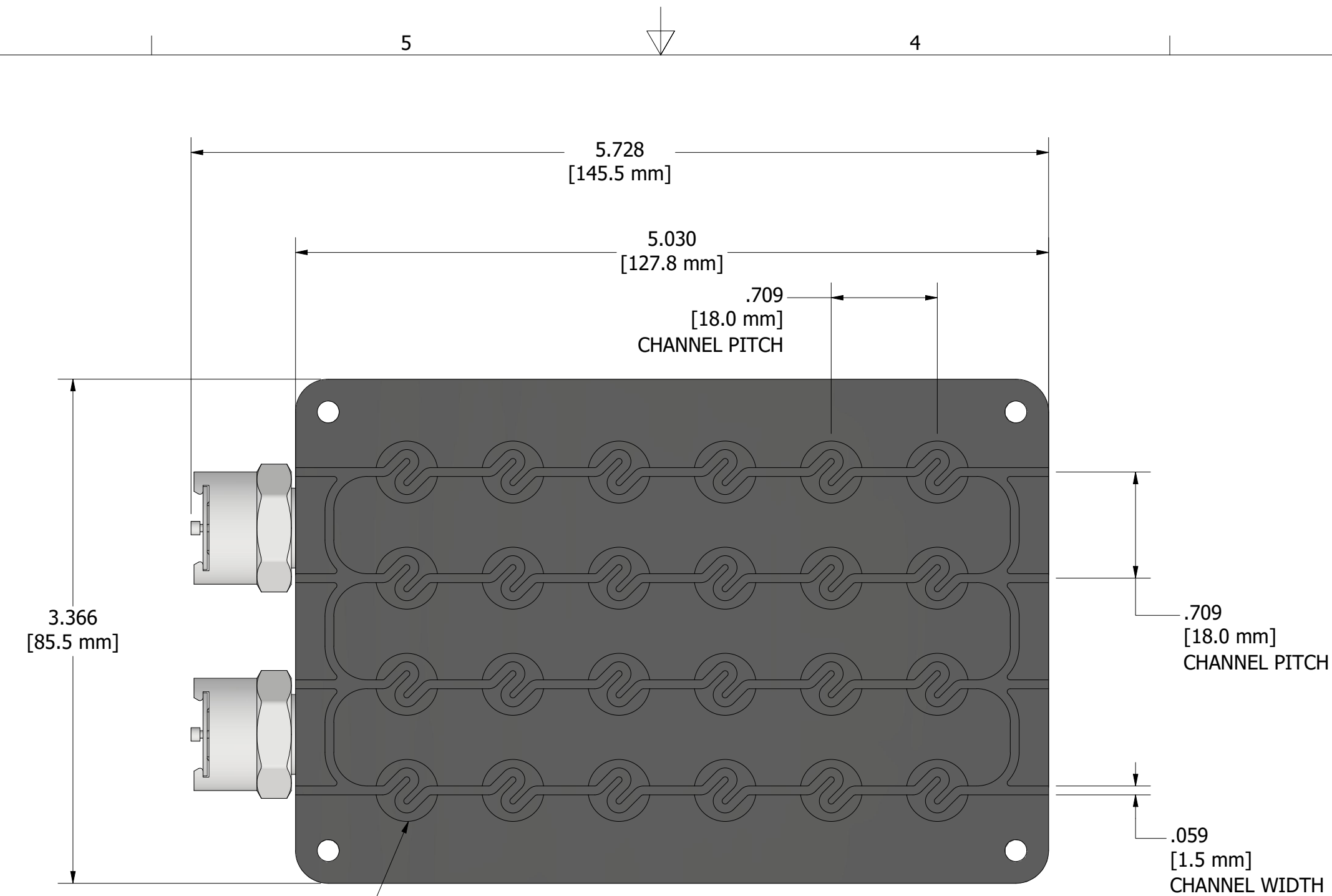
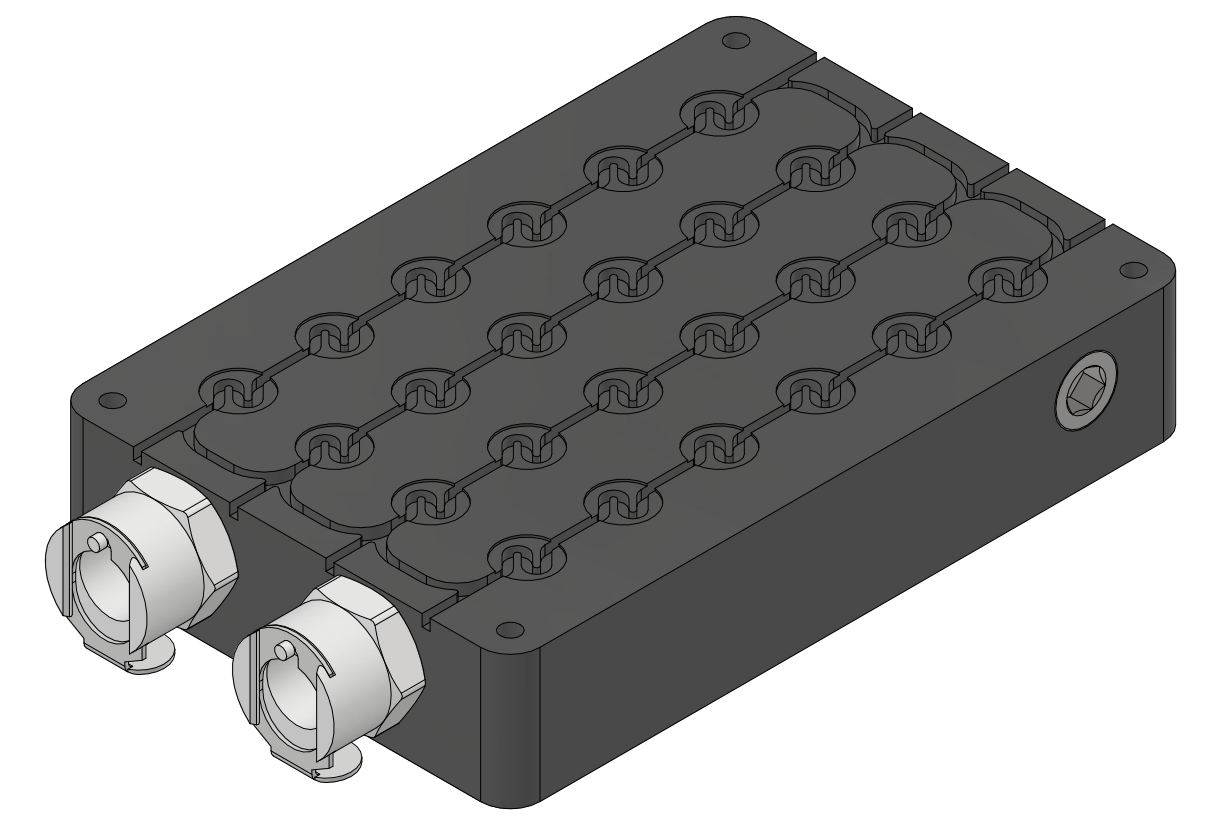


NOTES:

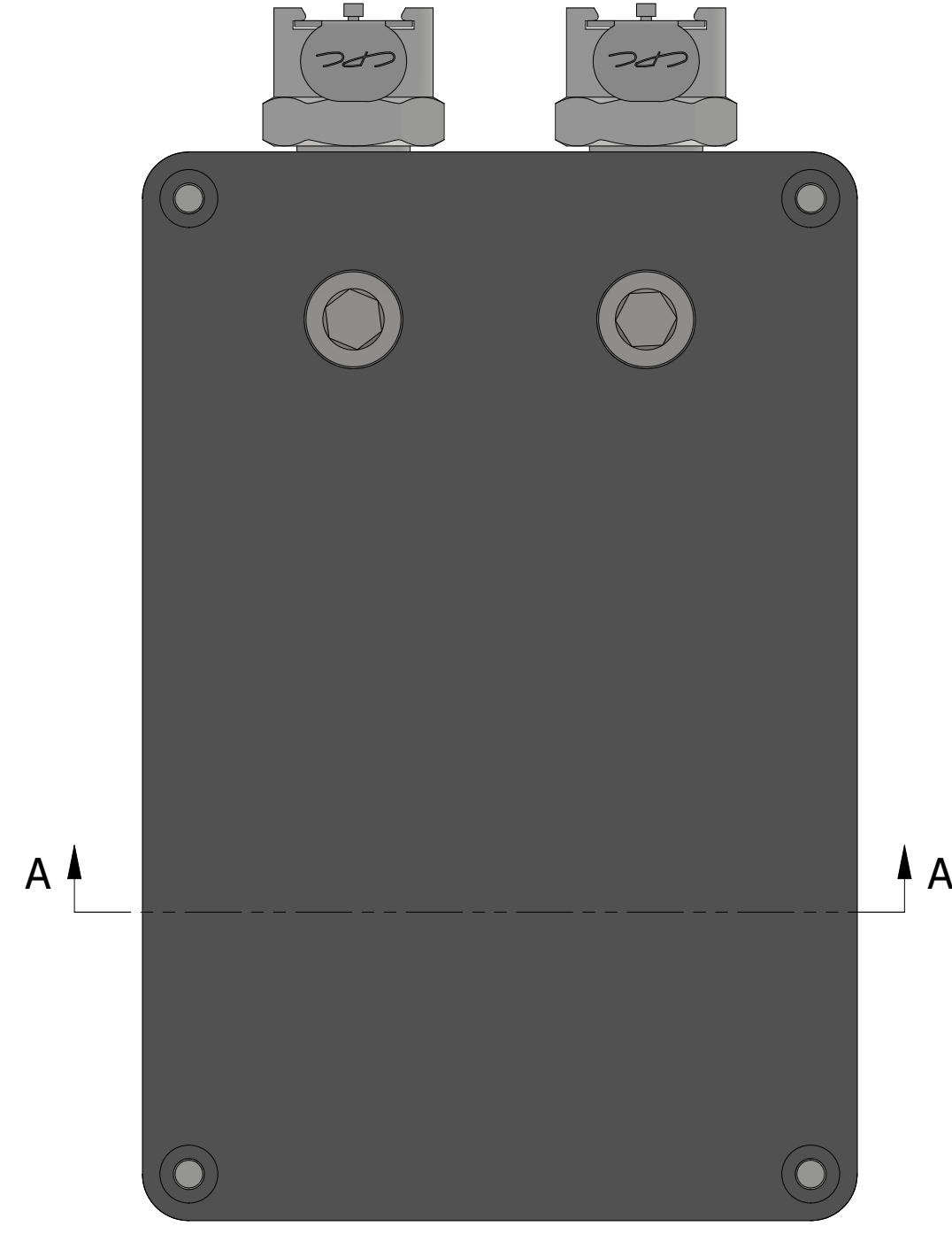
1. REACTOR MATERIAL: ALUMINUM
2. DESIGNED FOR USE WITH 24-18 (GEN II) LUMIDOX AND 1/16" OD TUBING (FEP OR SIMILAR)
3. EACH TUBING "ROW" APPROX. 205mm LONG
4. EXPOSURE (ACTIVE SURFACE) VOLUME  
 100 µL USING 1/16" OD, .020" ID TUBING (STANDARD)  
 25 µL USING 1/16" OD, .010" ID TUBING (OPTIONAL)  
 230 µL USING 1/16" OD, .030" ID TUBING (OPTIONAL)

REVISION HISTORY			
REV	DESCRIPTION	DATE	APPROVED
1A	INITIAL RELEASE	6/26/2025	ENGINEERING
1B	SQUARED TUBING PATHWAY	7/1/2025	ENGINEERING
1C	ADDED LIGHT SHIELD	5/6/2026	ENGINEERING

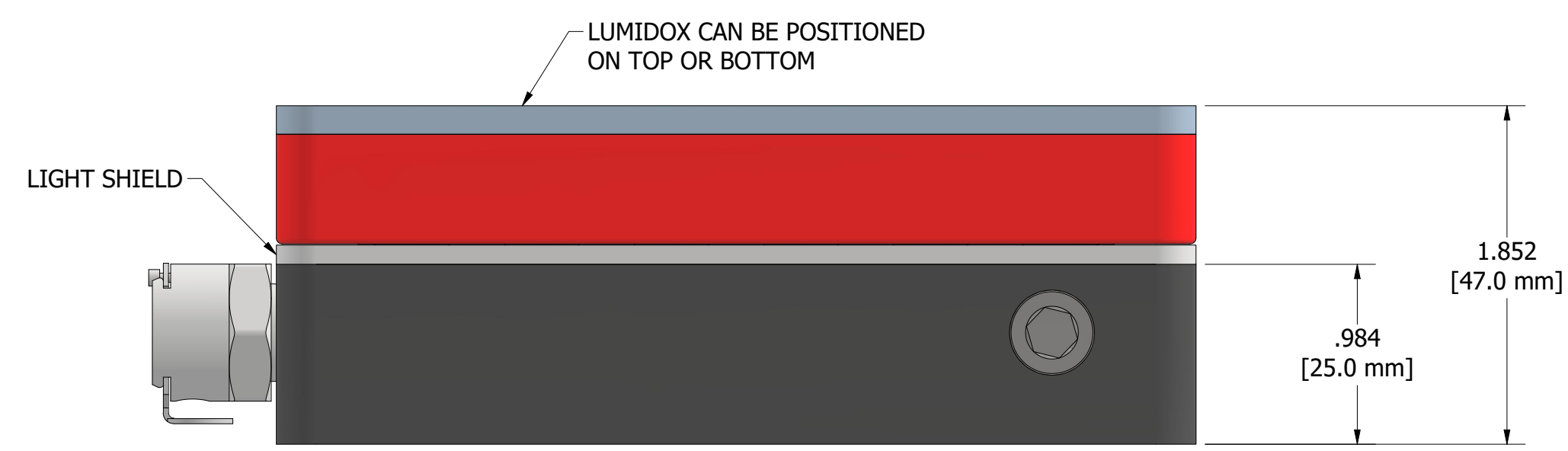


TOP VIEW (NO LUMIDOX)

EACH POSITION COUNTERBORED TO MATE WITH LUMIDOX 24-18 FOR ALIGNMENT



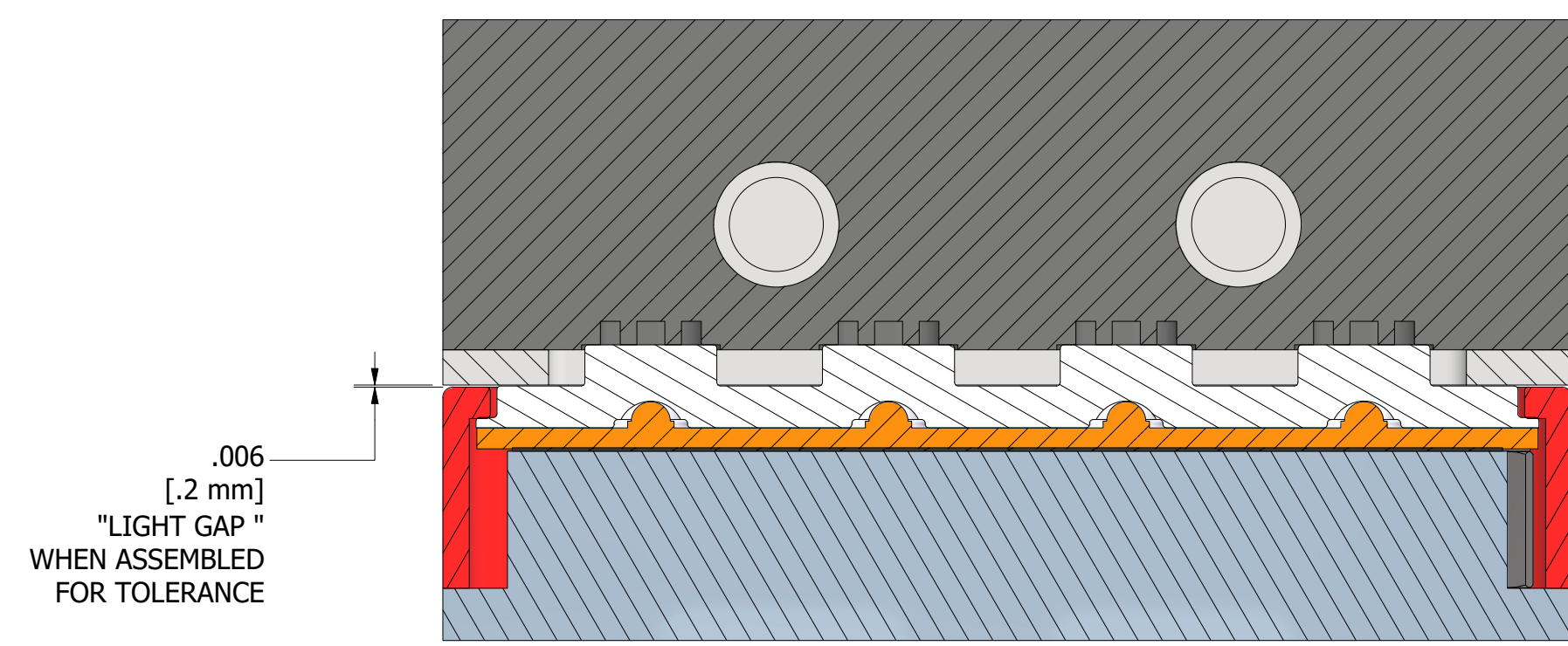
BOTTOM VIEW (WITH LUMIDOX)



SIDE VIEW WITH LUMIDOX



BACK VIEW (NO LUMIDOX)



SECTION A-A SCALE 2 : 1

DRAWN SAS email engineering@analytical-sales.com	5/6/2026	<b>ANALYTICAL</b> SALES AND SERVICES, INC © 2026	REV 1C
TITLE 266250_flow_reactor_24_well_rev1c_PUBLIC			SCALE 5 : 4
SHEET 1 OF 1		P	