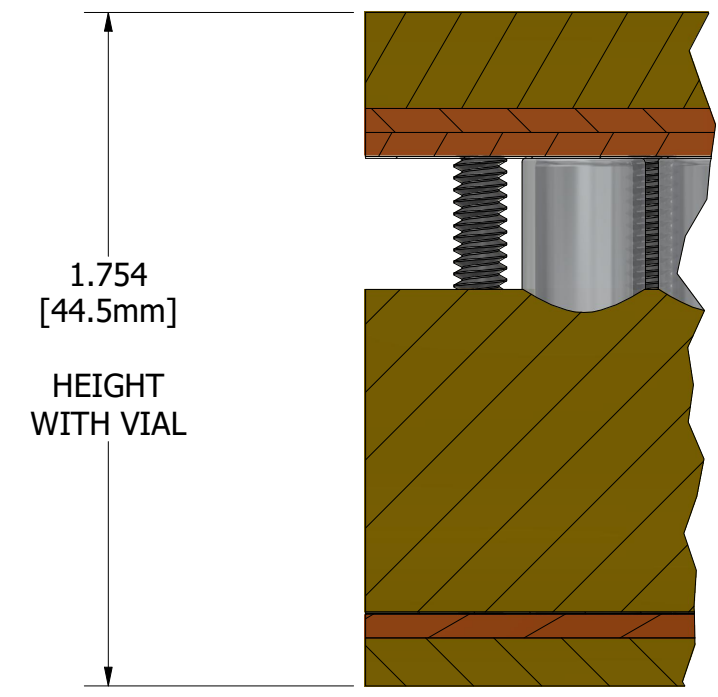
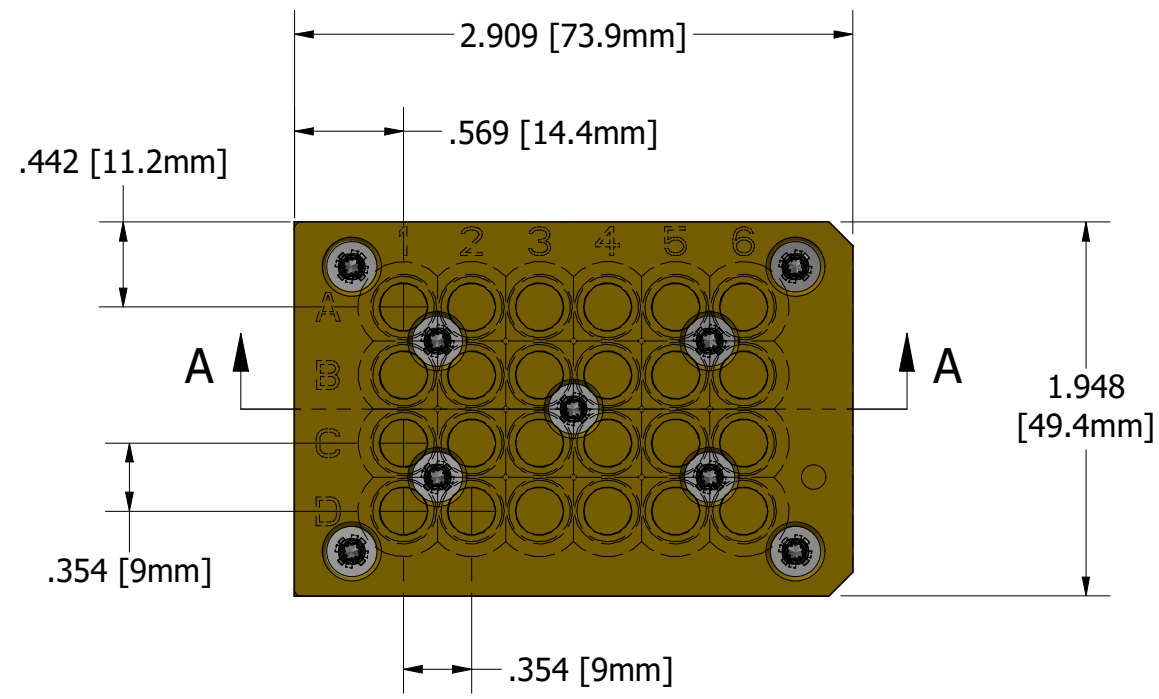
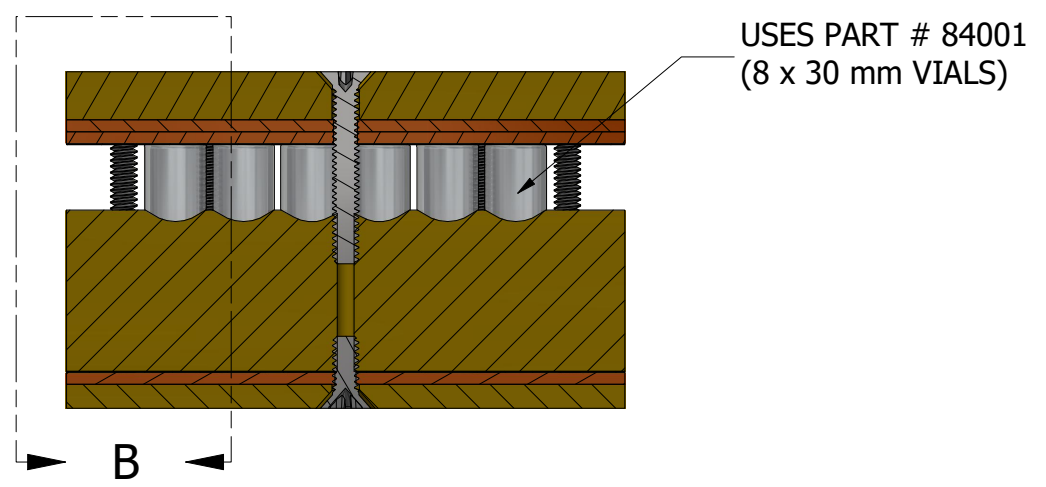


REVISION HISTORY			
REV	DESCRIPTION	DATE	APPROVED
1A	INITIAL RELEASE	5/12/2023	ENGINEERING



DETAIL B  
SCALE 2 : 1



SECTION A-A  
SCALE 1 : 1

DRAWN MD	5/12/2023	<b>ANALYTICAL</b> SALES AND SERVICES, INC © 2023	
		TITLE	
		24249_rev1a_PUBLIC	
		SIZE B	REV 1A
		SCALE 1 : 1	SHEET 1 OF 1

P