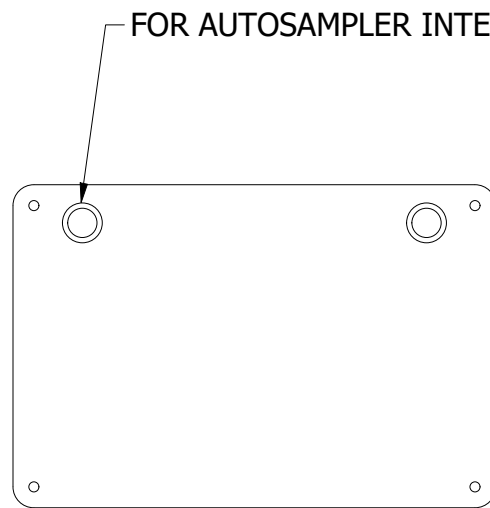
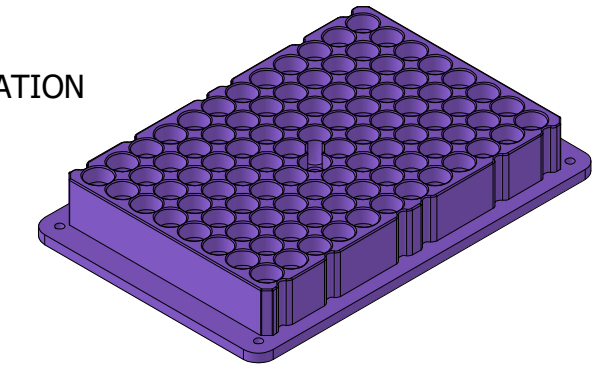
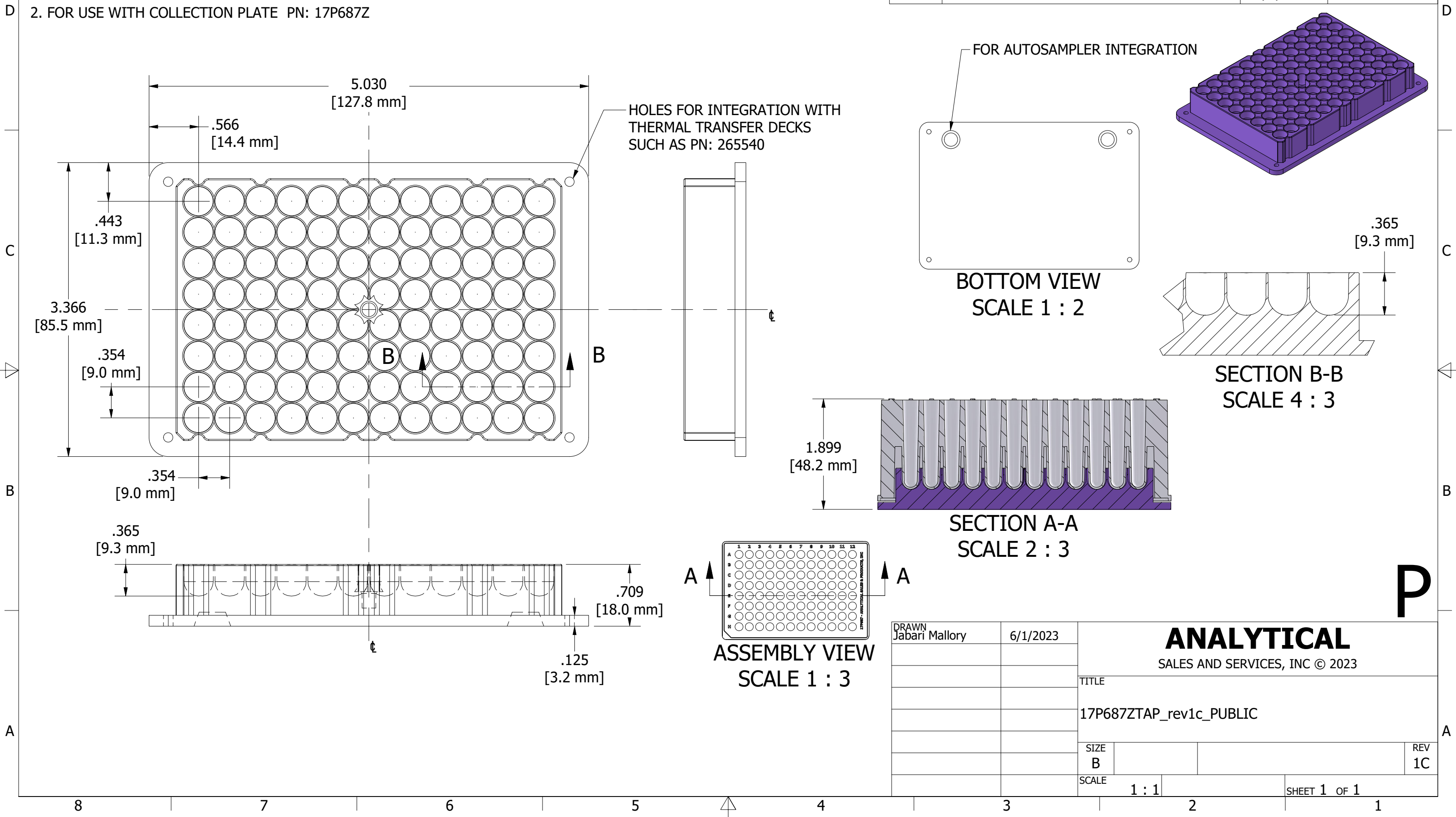


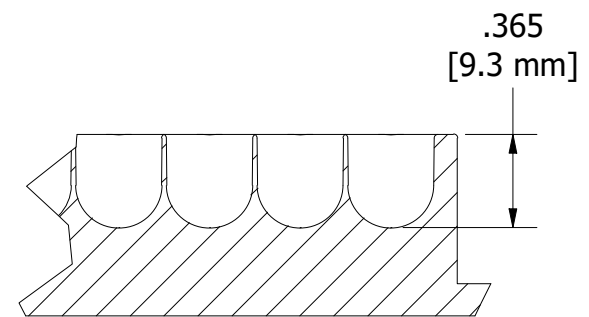
NOTES:

- 1. MATERIAL: ALUMINUM
- 2. FOR USE WITH COLLECTION PLATE PN: 17P687Z

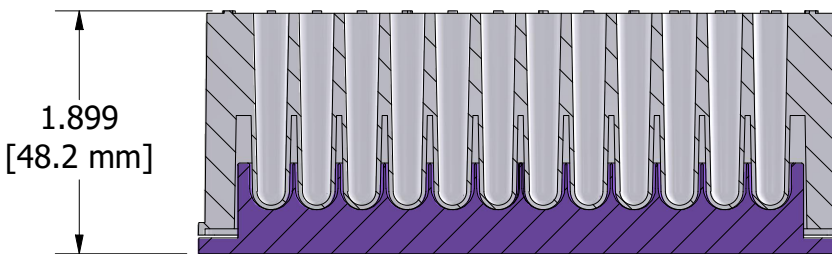
REVISION HISTORY			
REV	DESCRIPTION	DATE	APPROVED
1C	INITIAL RELEASE	6/1/2023	ENGINEERING



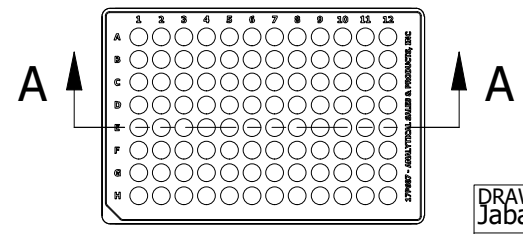
BOTTOM VIEW
SCALE 1 : 2



SECTION B-B
SCALE 4 : 3



SECTION A-A
SCALE 2 : 3



ASSEMBLY VIEW
SCALE 1 : 3

DRAWN Jabari Mallory	6/1/2023	ANALYTICAL SALES AND SERVICES, INC © 2023	
TITLE		17P687ZTAP_rev1c_PUBLIC	
SIZE B			REV 1C
SCALE 1 : 1		SHEET 1 OF 1	